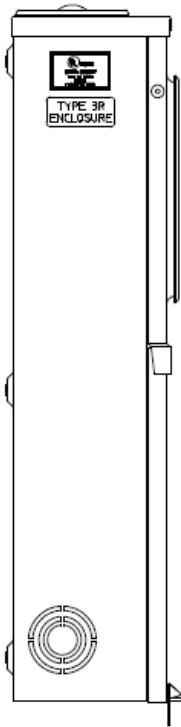
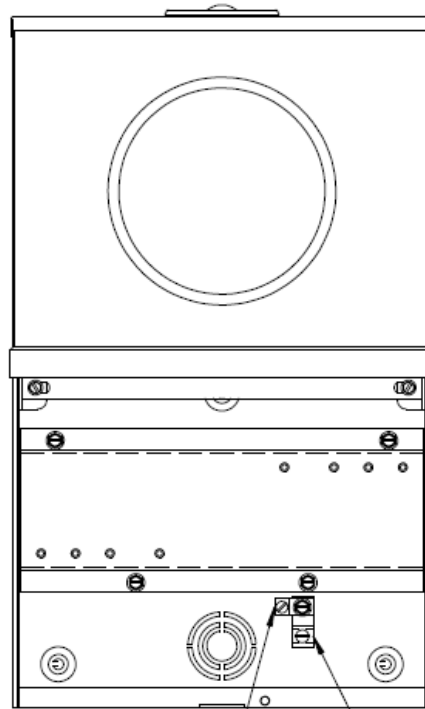


**Side View**

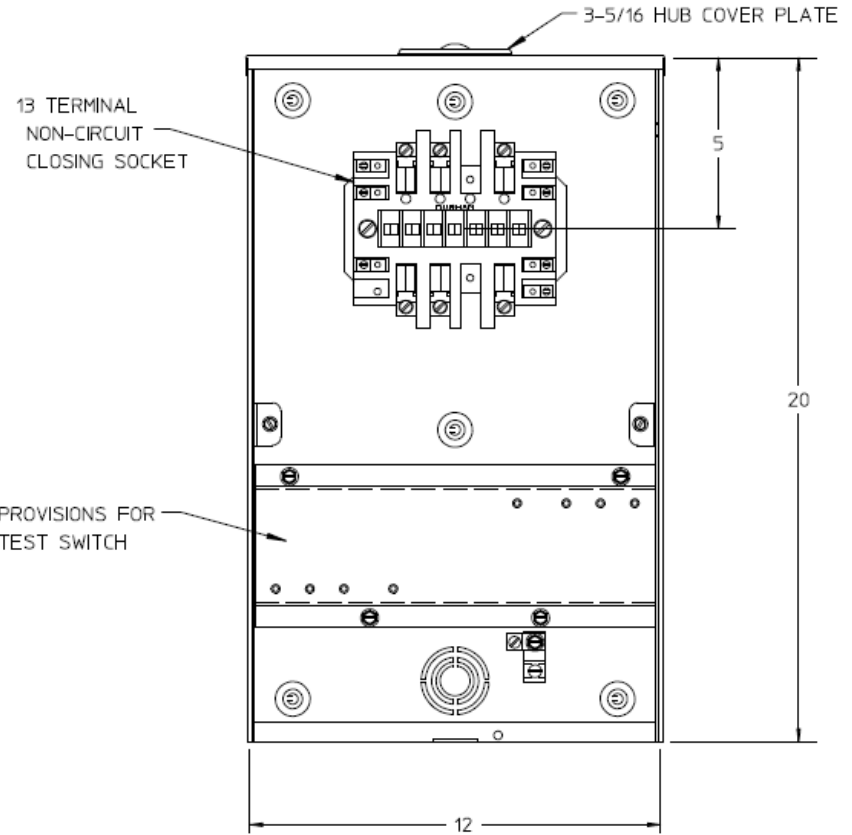


**Front View W/ Cover**



#14-2 CU-AL END OPENING  
#14-2 CU-AL SIDE OPENING

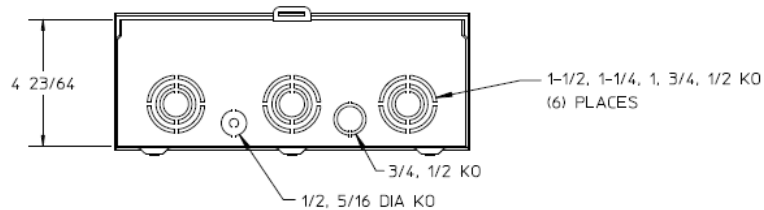
**Front View W/O Cover**



**Notes**

- 1) FINISH: GRAY
- 2) CABINET IS FABRICATED FROM 16GA. GALVANIZED STEEL.
- 3) UNIT RATING:  
20 AMP CONTINUOUS, 600 VAC,  
3 PHASE, 4 WIRE
- 4) SAFETY LABEL IS LOCATED ON THE LOWER RIGHT-HAND CORNER OF THE FRONT.
- 5) MIDWEST LABEL ATTACHED TO THE END OF THE CARTON.
- 6) TEMPORARY CARDBOARD METER OPENING COVER PROVIDED.
- 7) MIDWEST LOGO LOCATED IN THE LOWER LEFT-HAND CORNER OF THE FRONT.

**Bottom View**





METER SKT-(1) 20A 600V 3P4W G90 13-TERM SMALL HUBCVRPLT N3R TPLX GRD BOT/TOP FEED EUSERC		
<b>CAT NO</b>	<b>DWG DATE</b>	<b>REV #</b>
URSTS132CMEP	1/25/2017	01