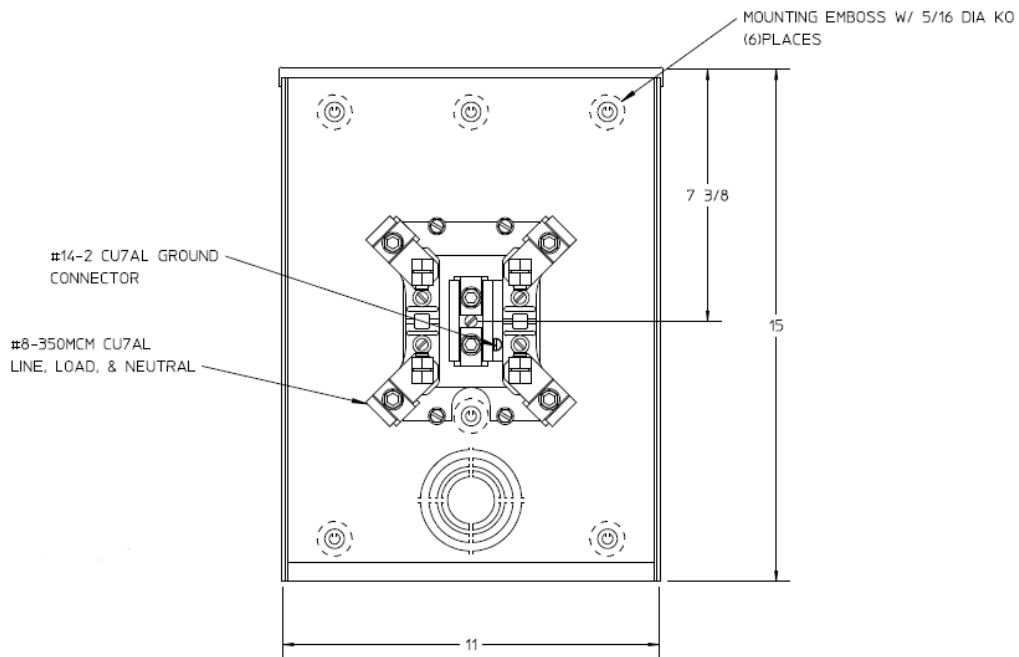
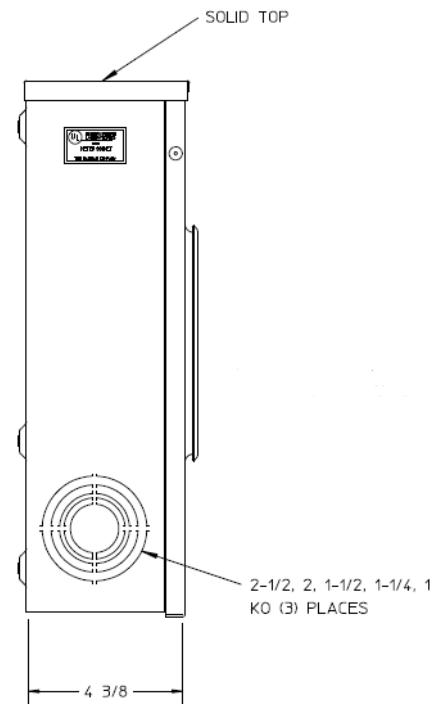


Front View



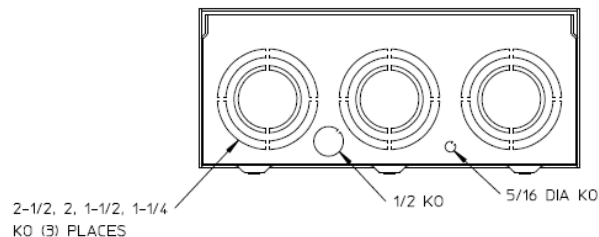
Side View



Notes

- 1) FINISH: GRAY
- 2) CABINET: 16GA GALV. STEEL
- 3) 200AMP CONTINUOUS, 600 VAC, 1 PHASE, 3-WIRE
- 4) SNAP TYPE SEALING RING PROVIDED (NOT SHOWN).

Bottom View



METER SKT-(1) 200A 600V 1P3W G90 4-TERM SOLID TOP N3R TRPLX GRD BOTTOM FED

| CAT NO | DWG DATE | REV # |
|-------------|------------|-------|
| URTRS213AGE | 01/11/2017 | 01 |