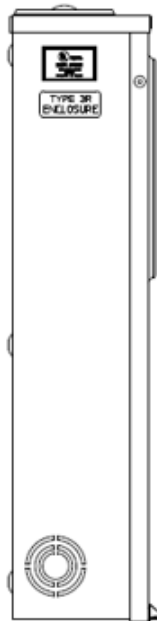
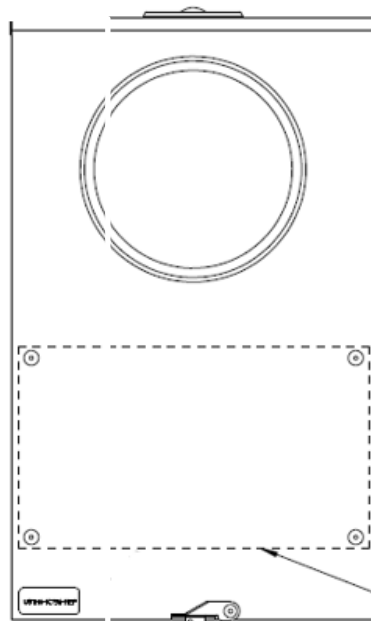


Left Side View



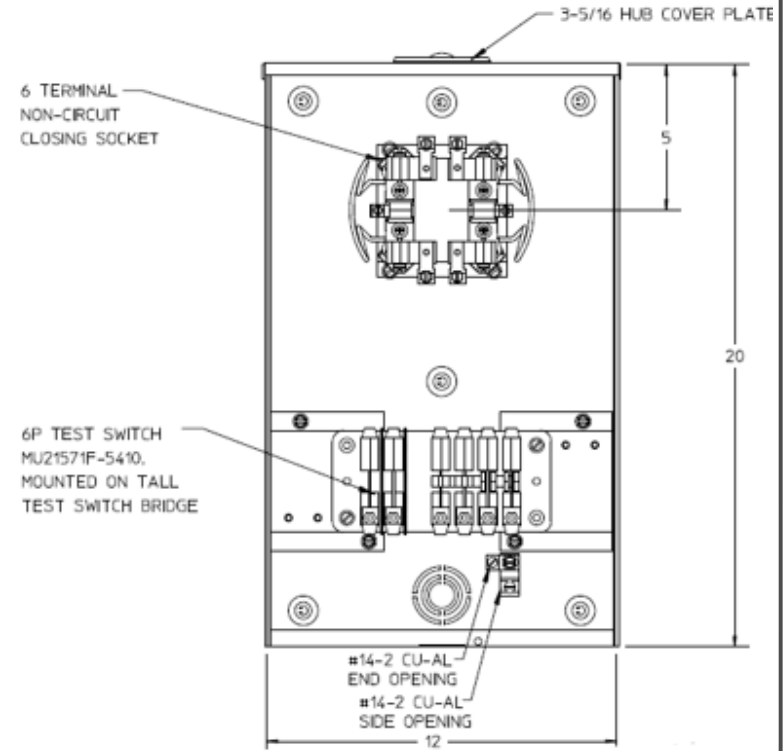
STAINLESS STEEL RIBBON SEAL ROTARY LATCH

Front View Exterior



TEST SWITCH SHIELD ON INSIDE OF FRONT

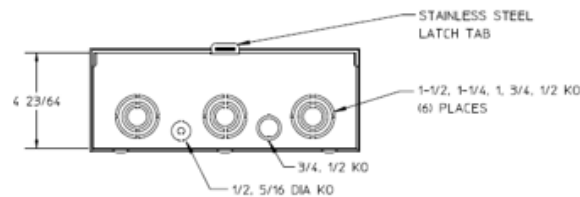
Front View Interior



Notes

- 1) CABINET CONSTRUCTED FROM 16 GAUGE GALVANIZED STEEL
- 2) FINISH: GREY
- 3) UNIT RATING: 20 AMP CONTINUOUS 600VAC 1 PHASE 3 WIRE
- 4) UNIT IS NOT FACTORY WIRED
- 5) UNIT IS SUPPLIED WITH TEMPORARY CARDBOARD METER OPENING COVER
- 6) GE LABEL ATTACHED TO END OF THE CARTON
- 7) GE LOGO STAMPED ON LOWER LEFT HAND CORNER OF FRONT
- 8) SAFETY LABEL IS LOCATED ON THE LOWER RIGHT-HAND CORNER OF THE FRONT
- 9) FOR FP&L USE ONLY

Bottom View



GE is a registered trademark used under license from General Electric company.



TRANSFORMER RATED MTR – 20A 6T 1P3W N3R STEEL
SMALL HUB CVR PLT TOP/BOT FEED FP&L APPROVED

CAT NO	DWG DATE	REV #
USTH61C756GE	02/09/2017	01