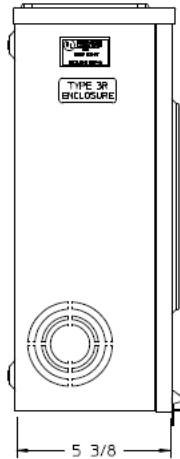
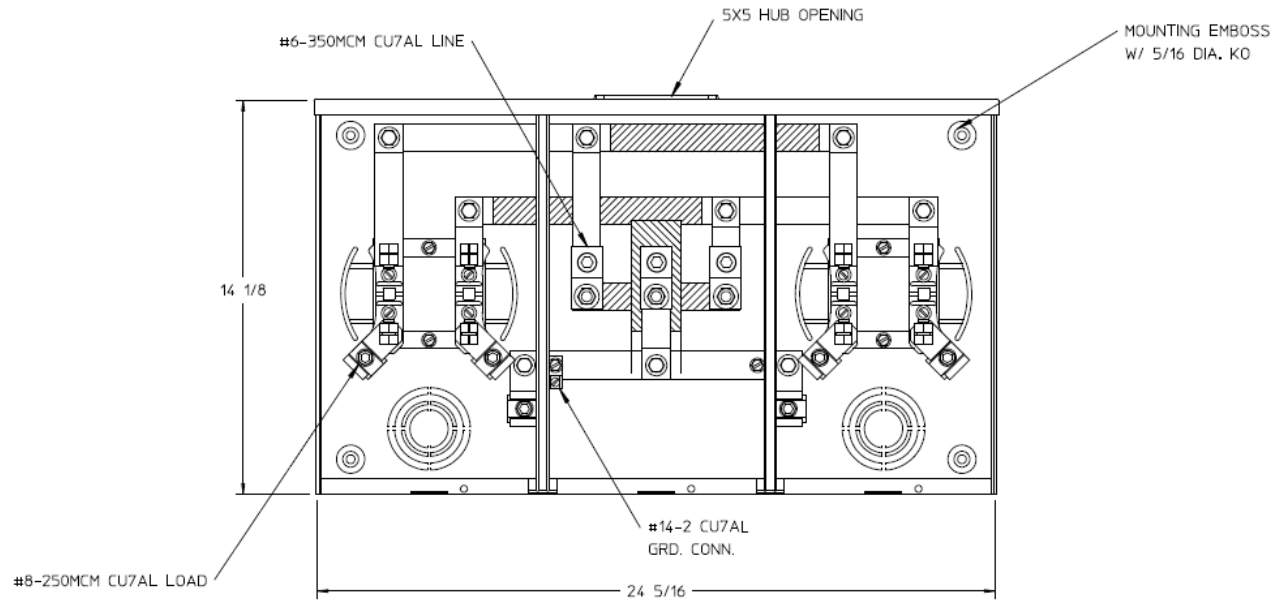


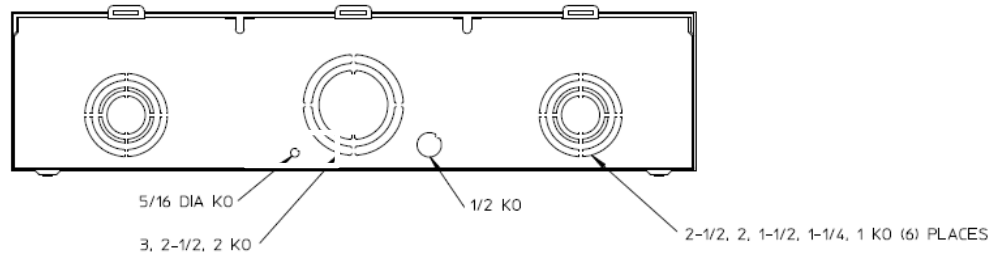
Left Side View



Front View Interior



Bottom View



Notes

- 1) FINISH: GRAY
- 2) CABINET: 16 GA GALV. STEEL
- 3) 200 AMP CONTINUOUS PER POSITION
600 VAC. 1-PHASE, 3-WIRE
250 AMP CONTINUOUS (TOTAL) UNIT RATING
- 4) GE LABEL ATTACHED TO THE
END OF THE CARTON
- 5) TEMPORARY CARDBOARD METER OPENING
COVER PROVIDED
- 6) GE LOGO LOCATED IN THE
LOWER LEFT-HAND CORNER OF THE FRONT
- 7) CONNECTORS POSITIONED FOR OVERHEAD FEED
- 8) CENTRAL MAINE POWER APPROVED

GE is a registered trademark used under license from General Electric company.



HORIZ GANGED METER SKTS-(2) 200A 600V 1P3W G90 N3R
4-TERM LARGE HUB OPNG CENTER FEED TRIPLEX GRD

CAT NO	DWG DATE	REV #
UT2R2332TGE	04/15/2016	02