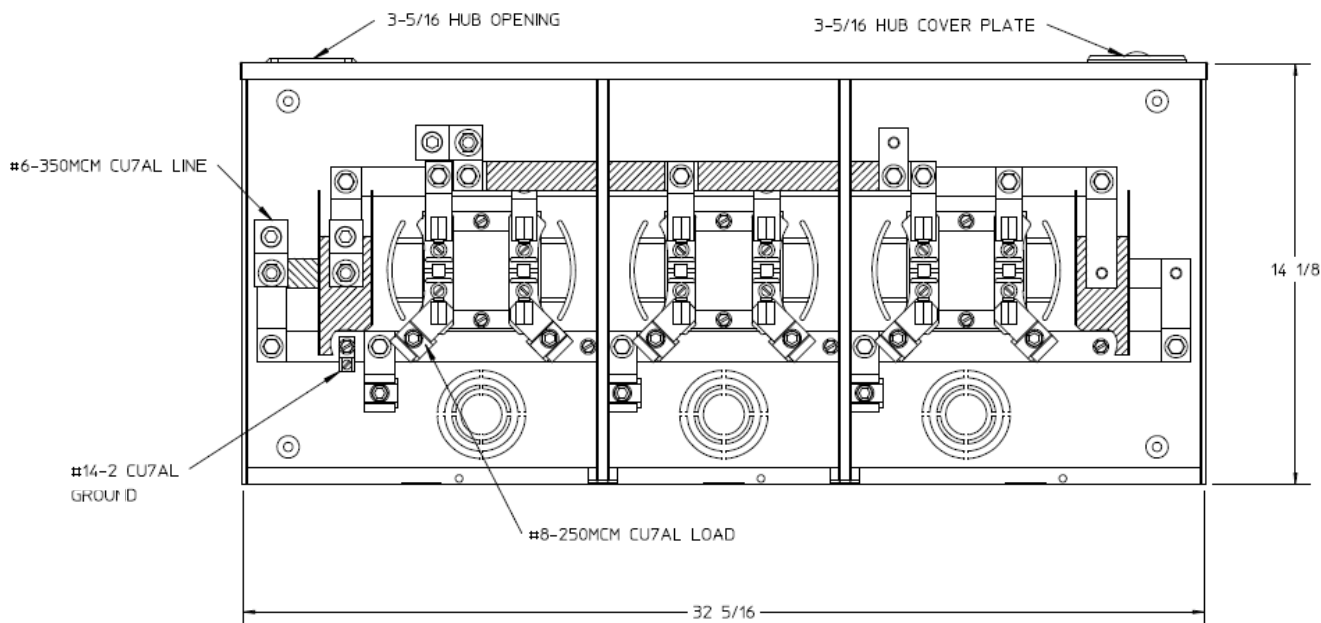
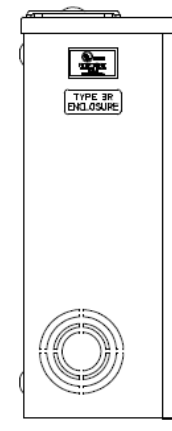


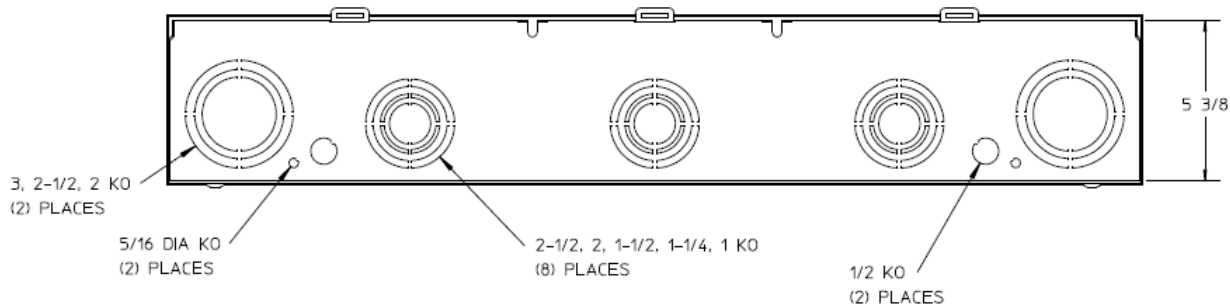
### Front View



### Side View



### Bottom View



### Notes

- 1) FINISH: GRAY
- 2) CABINET: 16 GA GALV. STEEL
- 3) 150 AMP CONTINUOUS PER POSITION  
205 AMP CONTINUOUS (TOTAL) UNIT RATING  
600VAC, 1 PHASE, 3-WIRE
- 4) TEMPORARY CARDBOARD METER OPENING COVER PROVIDED
- 5) GE LABEL ATTACHED TO THE END OF THE CARTON
- 6) GE LOGO LOCATED IN THE LOWER LEFT-HAND CORNER OF THE FRONT
- 7) CONNECTORS POSITIONED FOR OVERHEAD FEED



HORIZ GANGED MTRSKT-(3) 150A 600V 1P3W (1)SML HUB OPNG& (1)SML HCVRPLT 4-TRM N3R END FED G90 TPLX GRD

CAT NO	DWG DATE	REV #
UT3R5632BGE	02/09/2016	01