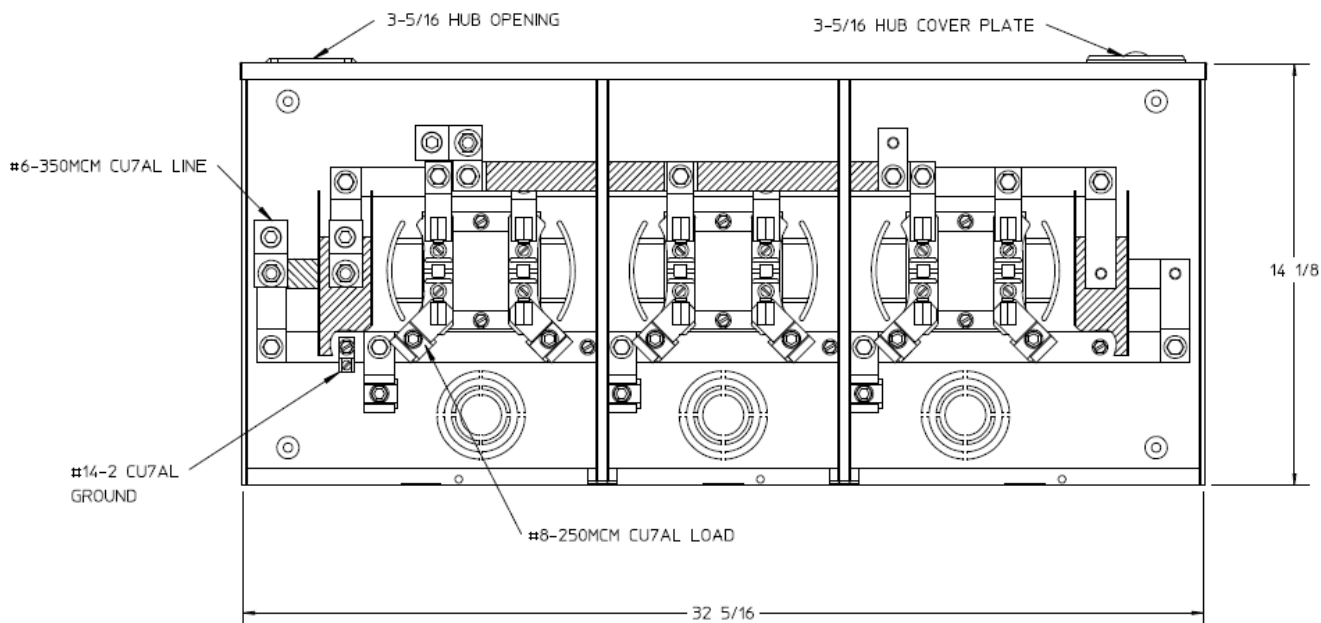
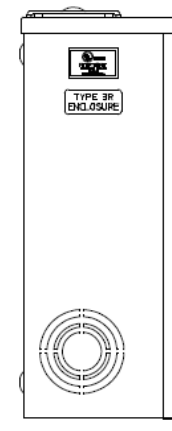


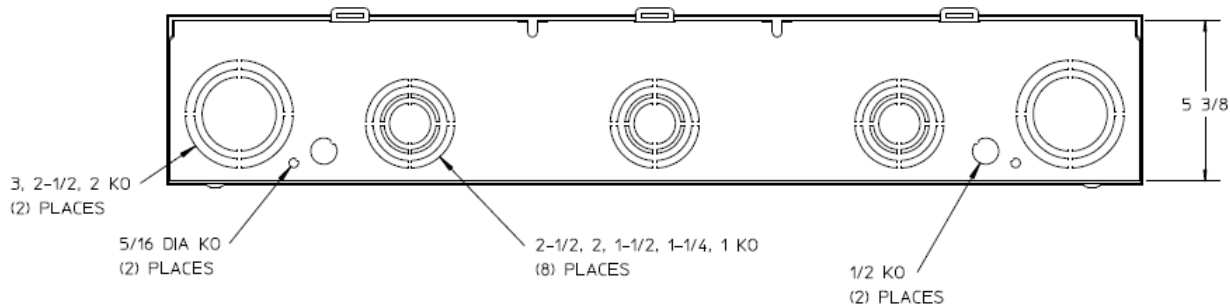
### Front View



### Side View



### Bottom View



### Notes

- 1) FINISH: GRAY
- 2) CABINET: 16 GA GALV. STEEL
- 3) 150 AMP CONTINUOUS PER POSITION  
205 AMP CONTINUOUS (TOTAL) UNIT RATING  
600 VAC, 1 PHASE, 3-WIRE
- 4) MIDWEST LABEL ATTACHED TO  
THE END OF THE CARTON.
- 5) TEMPORARY CARDBOARD METER  
OPENING COVERS PROVIDED.
- 6) MIDWEST LOGO LOCATED IN THE  
LOWER LEFT-HAND CORNER  
OF THE FRONTS.
- 7) CONNECTORS POSITIONED FOR OVERHEAD FEED.



HORIZ GANGED METER SOCKETS - (3) 150A 600V 1P3W N3R  
(1) HUB OPNG + (1) HUB CVR PLT 4-TERM END FED G90

CAT NO	DWG DATE	REV #
UT3R5632BMEP	02/09/2016	01