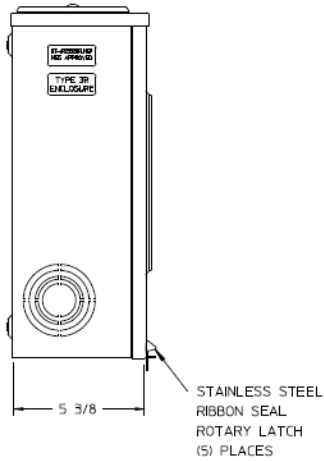
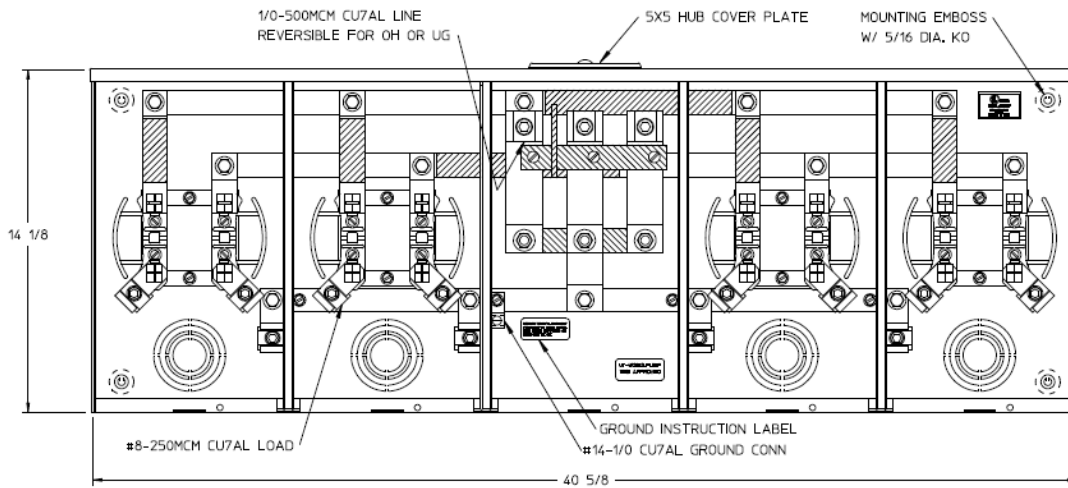


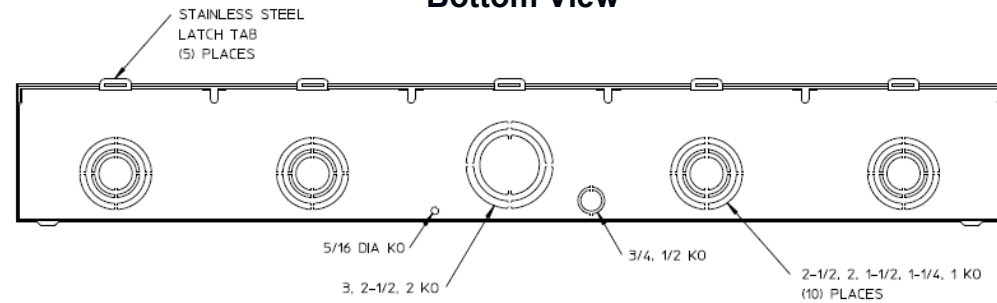
Left Side View



Front View Interior



Bottom View



Notes

- 1) FINISH: GRAY
- 2) CABINET: 16 GA GALV. STEEL
- 3) 200 AMP CONTINUOUS PER POSITION
600VAC, 1 PHASE, 3-WIRE
360 AMP CONTINUOUS (TOTAL) UNIT RATING WITH CU
310 AMP CONTINUOUS (TOTAL) UNIT RATING WITH AL
- 4) GE LABEL ATTACHED TO THE END OF THE CARTON
- 5) TEMPORARY CARDBOARD METER OPENING COVER PROVIDED
- 6) GE LOGO LOCATED IN THE LOWER LEFT-HAND CORNER OF THE FRONT



HORIZ GANGED METER SKTS-(4) 200A 600V 1P3W G90 N3R
4-TERM LARGE HUB COVER PLT CENTER MEG TPLX GRD

CAT NO	DWG DATE	REV #
UT4R2352UFLGE	06/15/2016	01