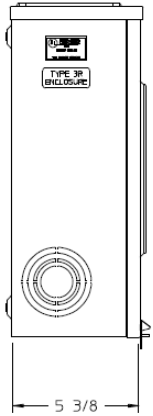
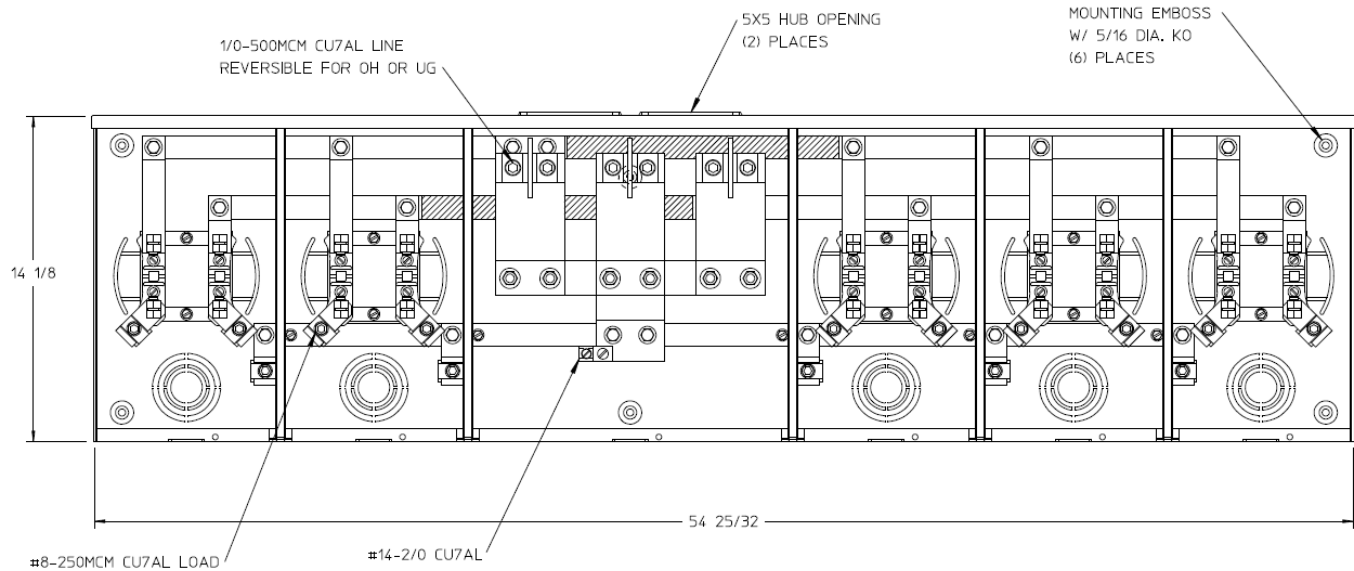


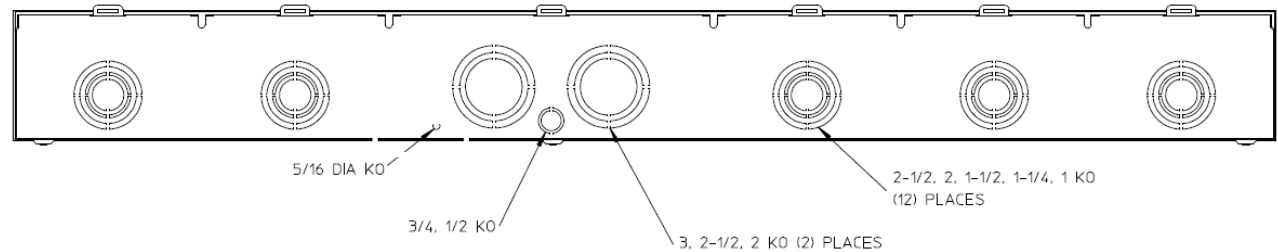
Left Side View



Front View Interior



Bottom View



Notes

- 1) FINISH: GRAY
- 2) CABINET: 16 GA GALV. STEEL
- 3) 200 AMP CONTINUOUS PER POSITION
600 VAC 1 PHASE, 3-WIRE
500 AMP CONTINUOUS (TOTAL) UNIT RATING
- 4) MIDWEST LABEL ATTACHED TO THE
END OF THE CARTON
- 5) TEMPORARY CARDBOARD METER OPENING
COVER PROVIDED
- 6) MIDWEST LOGO LOCATED IN THE
LOWER LEFT-HAND CORNER OF THE FRONT
- 7) CENTRAL MAINE POWER APPROVED



HORIZ GANGED METER SKTS-(5) 200A 600V 1P3W G90 N3R
4-TERM (2) LARGE HUB OPNG CENTER FEED TRIPLEX GRD

CAT NO	DWG DATE	REV #
UT5R2392TTMEP	06/08/2016	01