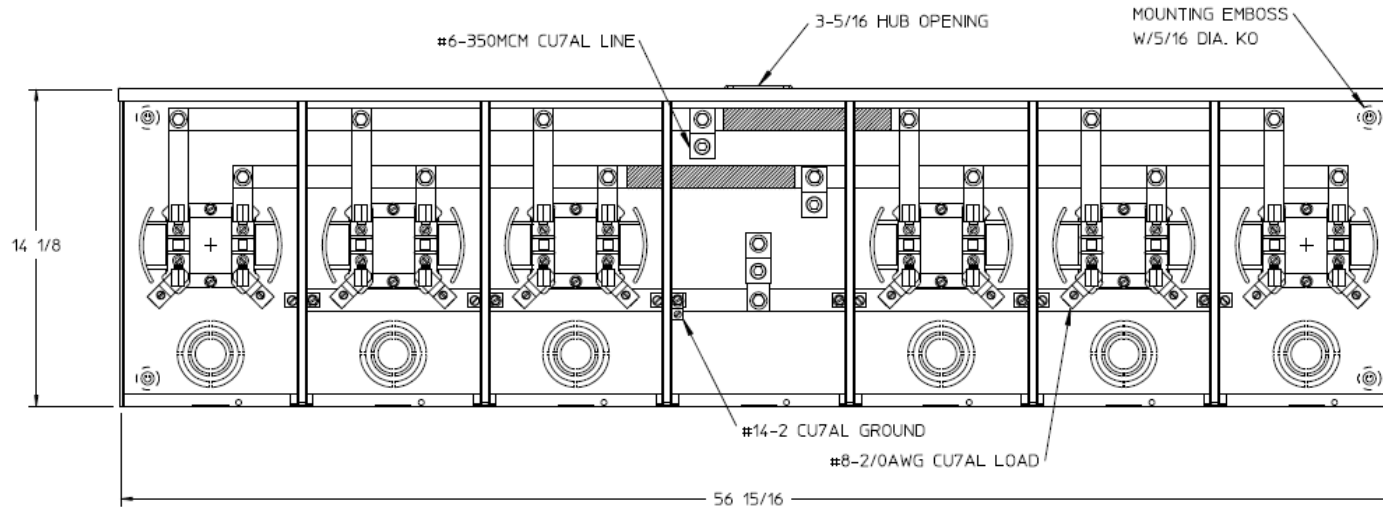
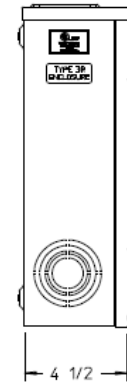


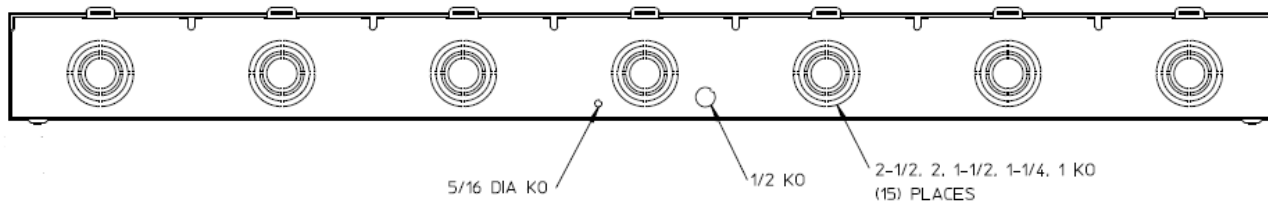
Front View



Side View



Bottom View



Notes

- 1) FINISH: GRAY
- 2) CABINET: 16 GA GALV. STEEL
- 3) 100 AMP CONTINUOUS PER POSITION
600 VAC 1 PHASE, 3-WIRE
300 AMP CONTINUOUS (TOTAL) UNIT RATING WITH CU
250 AMP CONTINUOUS (TOTAL) UNIT RATING WITH AL
- 4) GE LABEL ATTACHED TO THE END OF THE CARTON
- 5) TEMPORARY CARDBOARD METER OPENING COVER PROVIDED
- 6) GE LOGO LOCATED IN THE LOWER LEFT-HAND CORNER OF THE FRONT
- 7) CENTRAL MAINE POWER APPROVED

GE is a registered trademark used under license from General Electric company.



HORIZ GANGED METER SKTS - (6) 100A 600V 1P3W N3R
SMALL HUB OPNG 4-TERM CENTER FED G90 TRIPLEX GRD

CAT NO	DWG DATE	REV #
UT6R1131BGE	02/09/2016	01