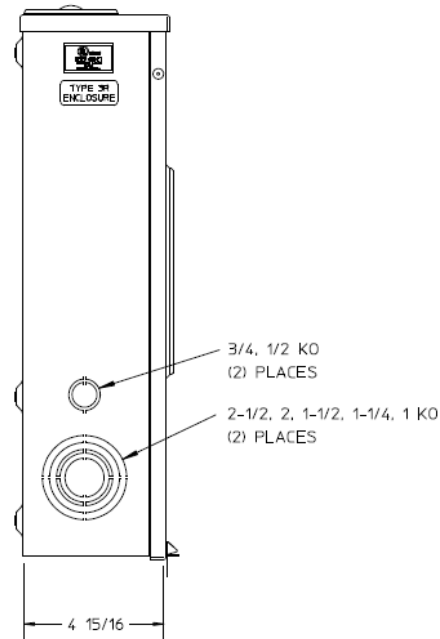
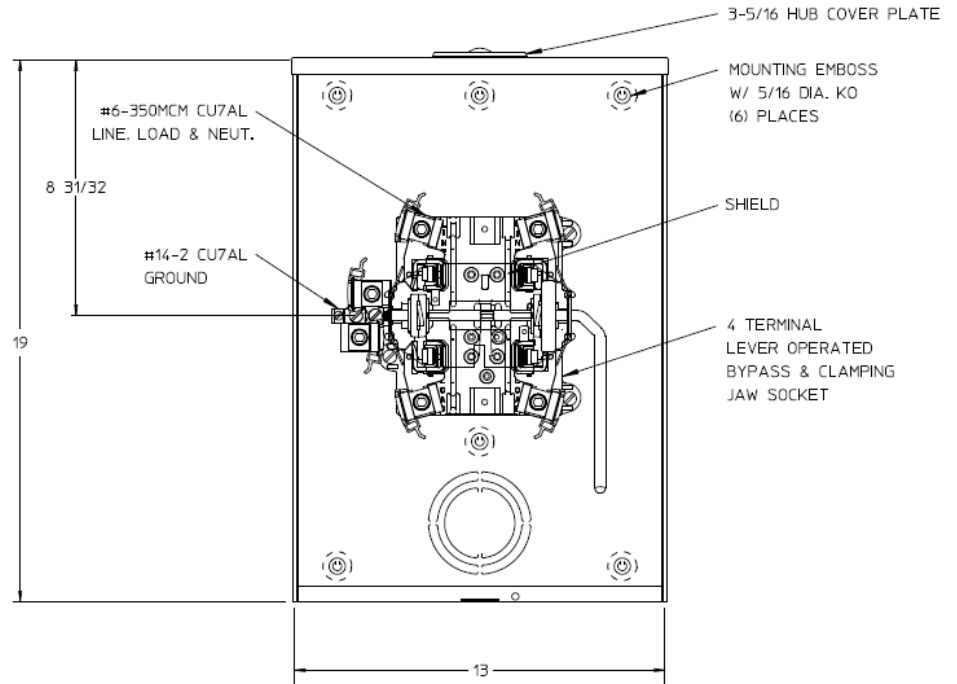


### Side View



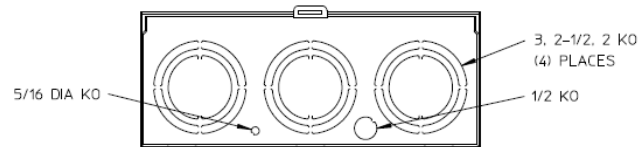
### Front View



### Notes

- 1) FINISH: GRAY
- 2) CABINET: 16 GA GALV. STEEL
- 3) 200 AMP CONTINUOUS  
600 VAC, 1 PHASE, 3 WIRE  
200 AMP BYPASS
- 4) TEMPORARY CARDBOARD METER  
OPENING COVER SUPPLIED
- 5) GE LABEL ATTACHED TO THE  
END OF THE CARTON.
- 6) GE SAFETY LABEL LOCATED ON THE LOWER  
LEFT-HAND CORNER OF THE FRONT.

### Bottom View



METER SKT-1-200A 600V 1P3W G90 N3R 4-TRM SMALL  
HUB CVR PLT TOP/BOT FED LVR BYP TPLX GRD

CAT NO	DWG DATE	REV #
UTH4213CGE	11/30/2016	01