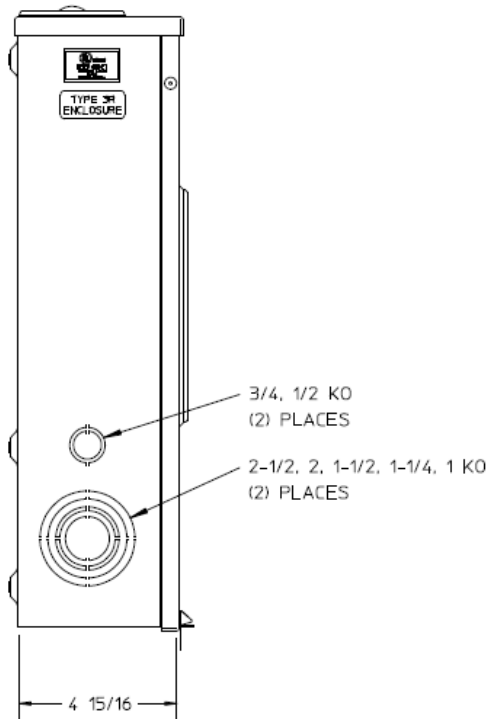
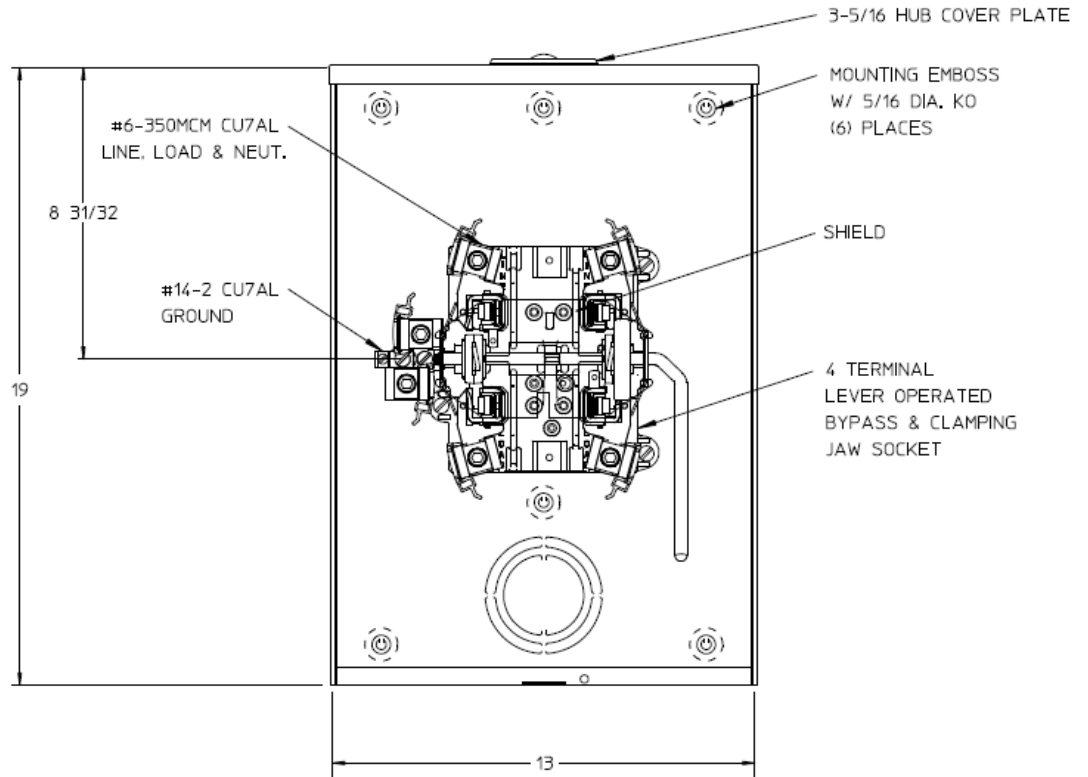


Side View



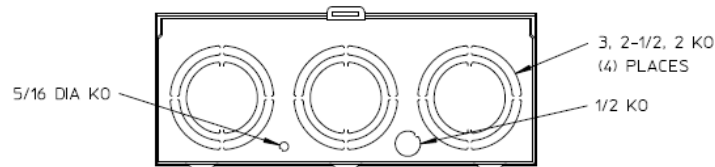
Front View




Notes

- 1) FINISH: GRAY
- 2) CABINET: 16 GA GALV. STEEL
- 3) 200 AMP CONTINUOUS
600 VAC, 1 PHASE, 3 WIRE
200 AMP BYPASS
- 4) TEMPORARY CARDBOARD METER
OPENING COVER SUPPLIED
- 5) MIDWEST LABEL ATTACHED TO THE
END OF THE CARTON
- 6) MIDWEST LOGO LOCATED IN THE LOWER
LEFT-HAND CORNER OF THE FRONT

Bottom View





METER SKT-1-200A 600V 1P3W G90 N3R 4-TRM SMALL HUB CVR PLT TOP/BOT FED LVR BYP TPLX GRD		
CAT NO	DWG DATE	REV #
UTH4213CMEP	11/30/2016	01