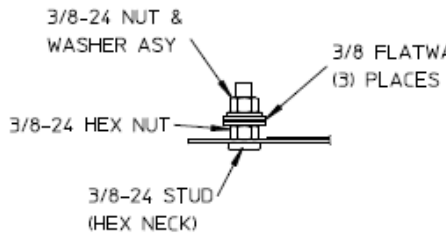


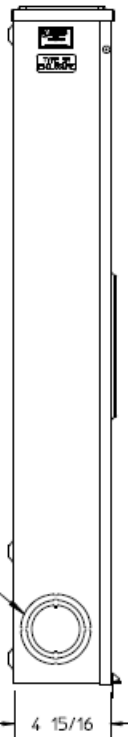
### Side View

### Front View

### Neutral Stud Detail

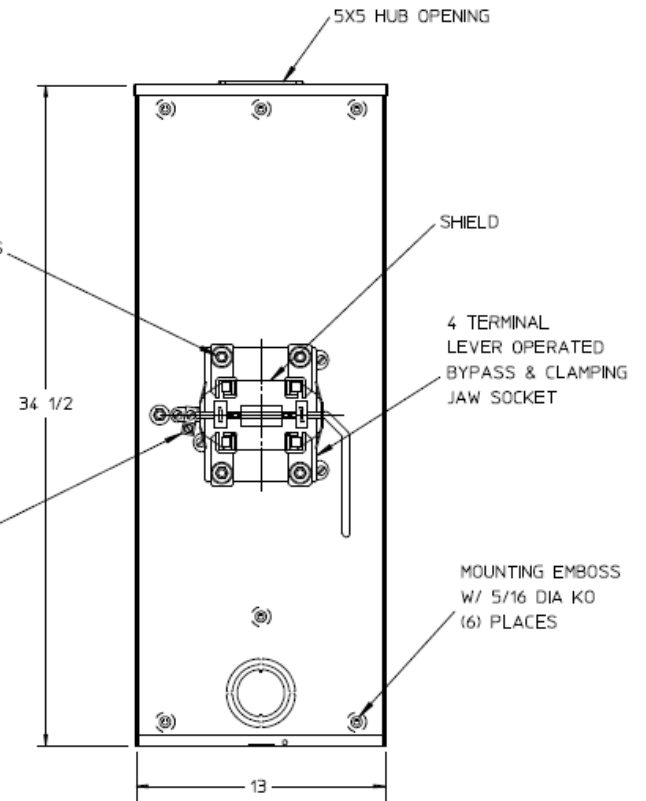


3, 2-1/2, 2 KO  
(6) PLACES



3/8" STUD LINE, LOAD, & NEUTRAL, 600MCM OR DUAL 350MCM CONDUCTORS MAXIMUM WITH APPLICABLE CONNECTOR KITS.

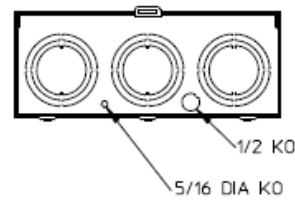
#14-1/0 CU7AL GROUND CONNECTOR



### Notes

- 1) FINISH: GRAY
- 2) CABINET: 16GA GALV. STEEL
- 3) 320AMP CONTINUOUS  
600 VAC, 1 PHASE, 3-WIRE  
320AMP BYPASS
- 4) TEMPORARY CARDBOARD METER  
OPENING COVER SUPPLIED
- 5) MIDWEST LABEL ATTACHED TO THE  
END OF THE CARTON
- 6) MIDWEST LOGO LOCATED IN THE LOWER  
LEFT-HAND CORNER OF THE FRONT

### Bottom View



METER SKT-(1) 320A 600V 1P3W G90 N3R 4-TRM  
LARGE HUB OPNG TOP/BOT FEED LVR BYP TPLX GRD

CAT NO	DWG DATE	REV #
UTH4300TMEP	11/07/2016	01