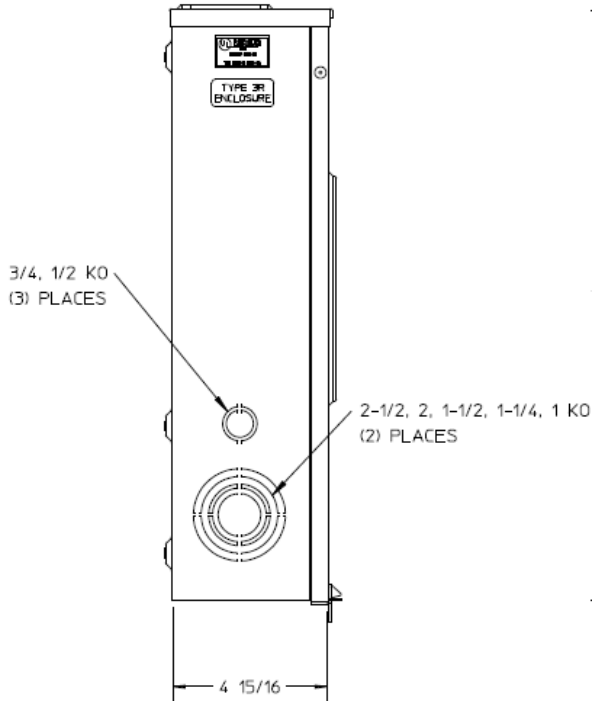
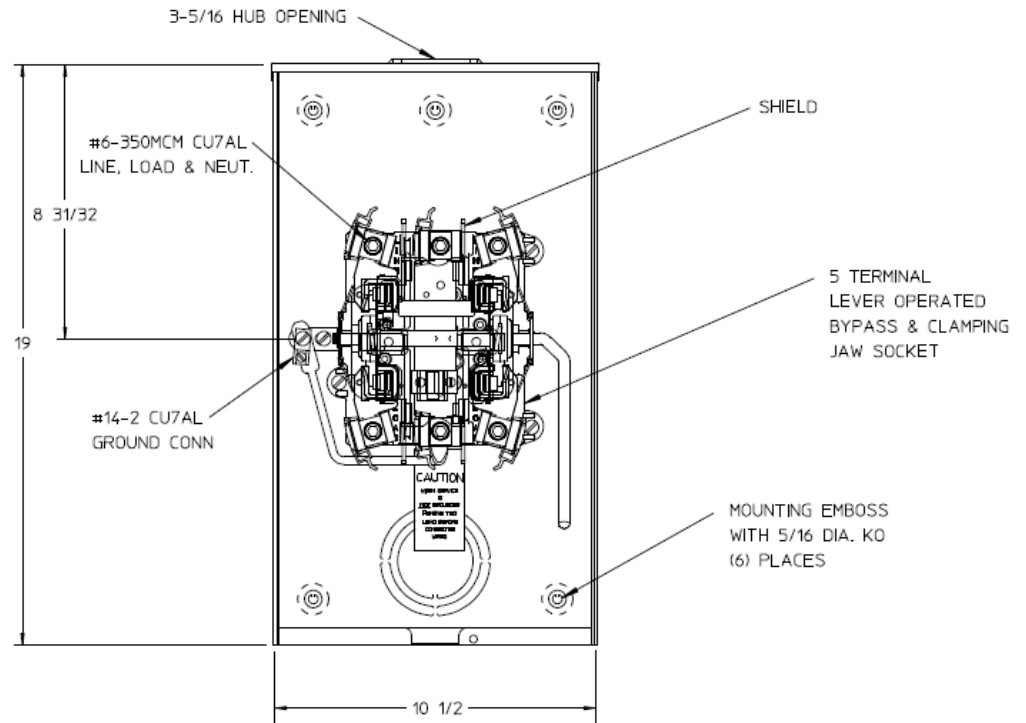


### Side View



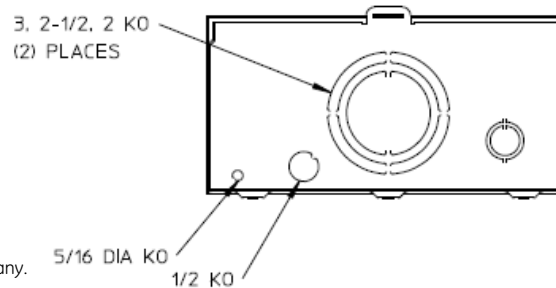
### Front View



### Notes

- 1) FINISH: GRAY
- 2) CABINET: 16 GA GALV. STEEL
- 3) 200 AMP CONTINUOUS  
600VAC, 3 PHASE, 3-WIRE  
1 PHASE, 3-WIRE  
NETWORK, 3-WIRE  
200 AMP BYPASS
- 4) TEMPORARY CARDBOARD  
METER OPENING COVER PROVIDED
- 5) GE LABEL ATTACHED TO THE  
END OF THE CARTON
- 6) GE LOGO LOCATED IN THE  
LOWER LEFT-HAND CORNER OF THE FRONT
- 7) CENTRAL MAINE POWER APPROVED

### Bottom View



GE is a registered trademark used under license from General Electric company.



METER SKT-(1) 200A 600V 1P3W or 3P3W G90 N3R 5-TRM  
SML HUB OPNG LEVER BYP TRIPLEX GRD TOP/BOT FEED

CAT NO	DWG DATE	REV #
UTH5203BGE	06/09/2016	01