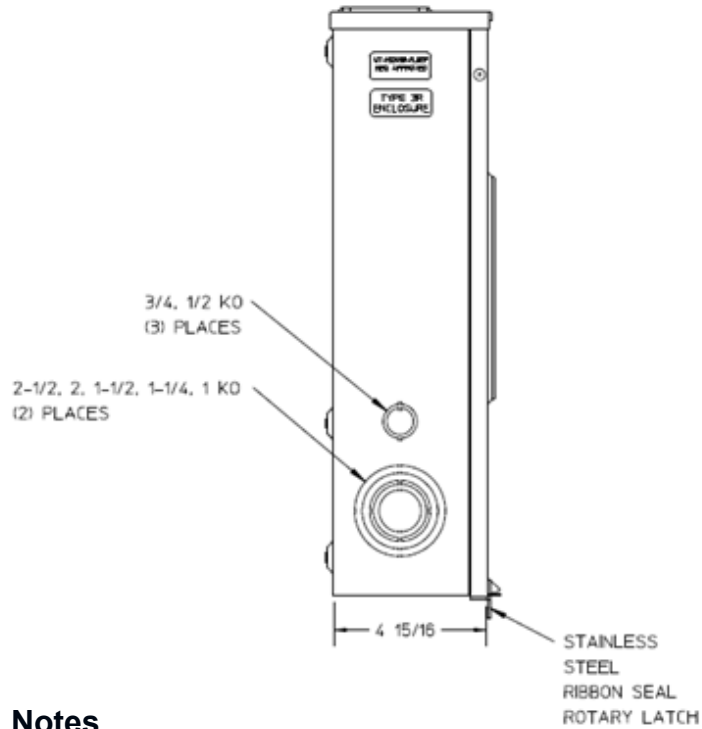
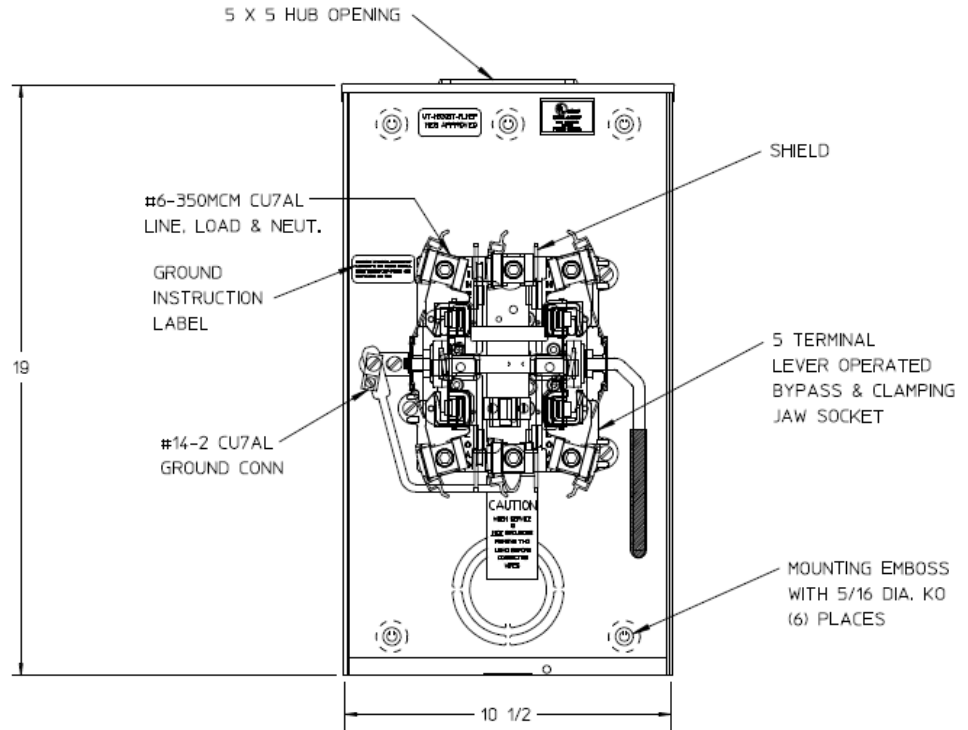


Left Side View



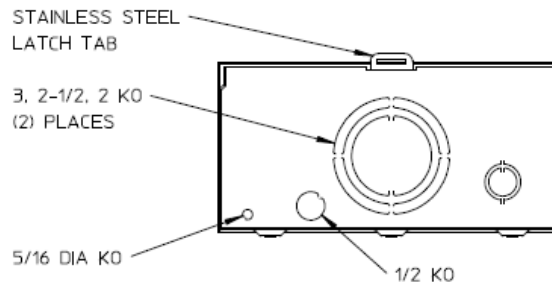
Front View Interior



Notes

- 1) FINISH: GRAY
- 2) CABINET: 16 GA GALV STEEL
- 3) 200 AMP CONTINUOUS, 600 VAC, 3 PHASE, 3 WIRE, 1 PHASE 3 WIRE, NETWORK 3 WIRE, 200 AMP BYPASS
- 4) GE LABEL ATTACHED TO THE END OF THE CARTON
- 5) TEMPORARY CARDBOARD METER OPENING COVER PROVIDED
- 6) GE LOGO STAMPED ON LOWER LEFT HAND CORNER OF THE FRONT

Bottom View



METER SKT-(1) 200A 600V 1P3W or 3P3W G90 N3R 5-TERM LARGE HUB OPNG TOP/BOT FEED LEVER BYP TPLX GRD MEG

CAT NO	DWG DATE	REV #
UTH5203TFLGE	06/16/2016	01