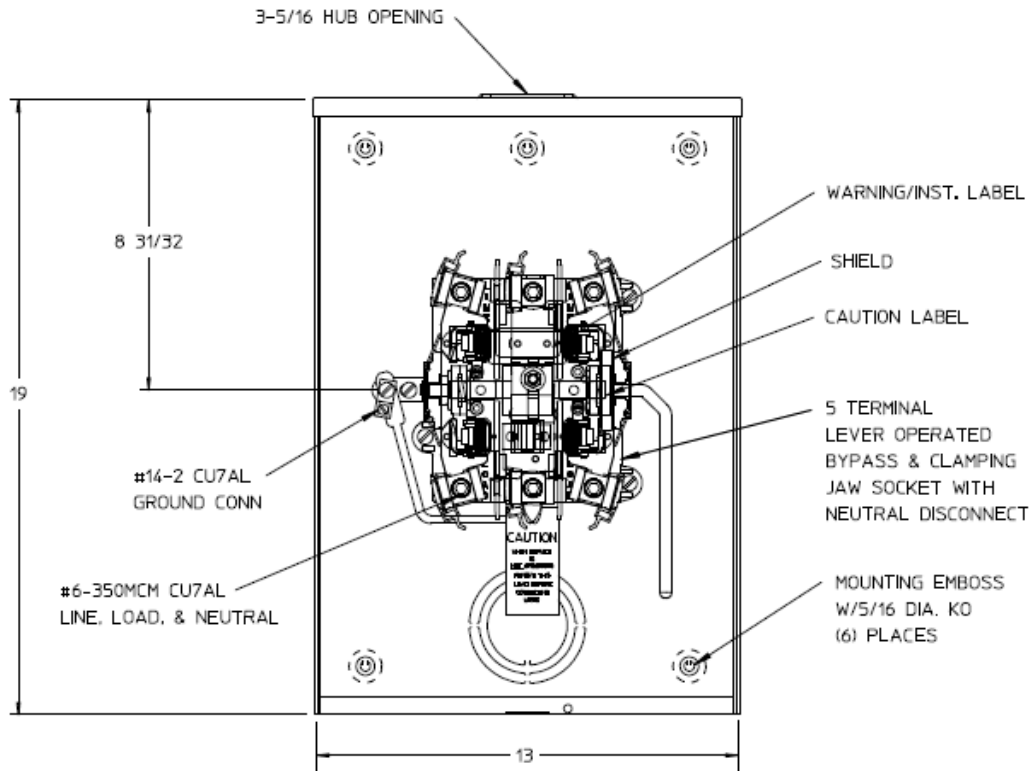
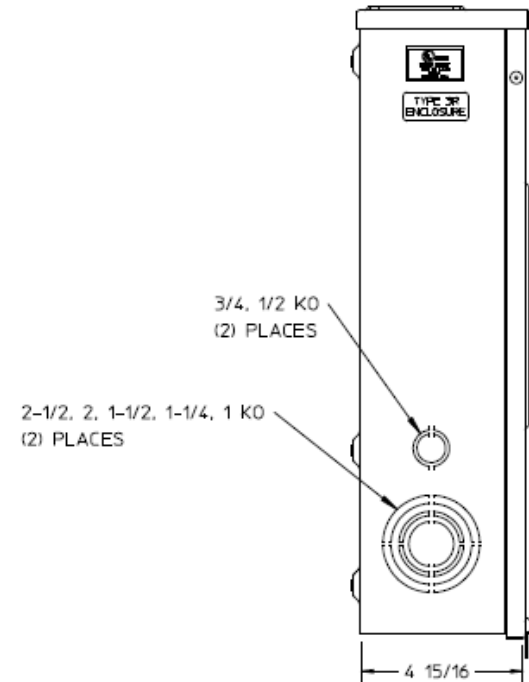


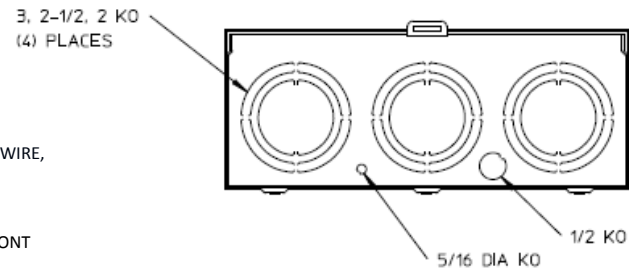
Front View



Side View



Bottom View



Notes

- 1) FINISH: GRAY
- 2) CABINET: 16 GA GALV STEEL
- 3) 200 AMP CONTINUOUS, 600 VAC, 3 PHASE, 3 WIRE, 1 PHASE 3 WIRE, NETWORK 3 WIRE, 200 AMP BYPASS
- 4) GE LABEL ATTACHED TO THE END OF THE CARTON
- 5) TEMPORARY CARDBOARD METER OPENING COVER PROVIDED
- 6) GE LOGO STAMPED ON LOWER LEFT HAND CORNER OF THE FRONT

GE is a registered trademark used under license from General Electric company.



METER SKT-(1) 200A 600V 1P3W or 3P3W N3R 5-TERM LEVER BYP G90 SMALL HUB OPN TPX GRD TOP/BOT FED

| CAT NO | DWG DATE | REV # |
|--------------|------------|-------|
| UTH5213BNDGE | 02/10/2016 | 01 |