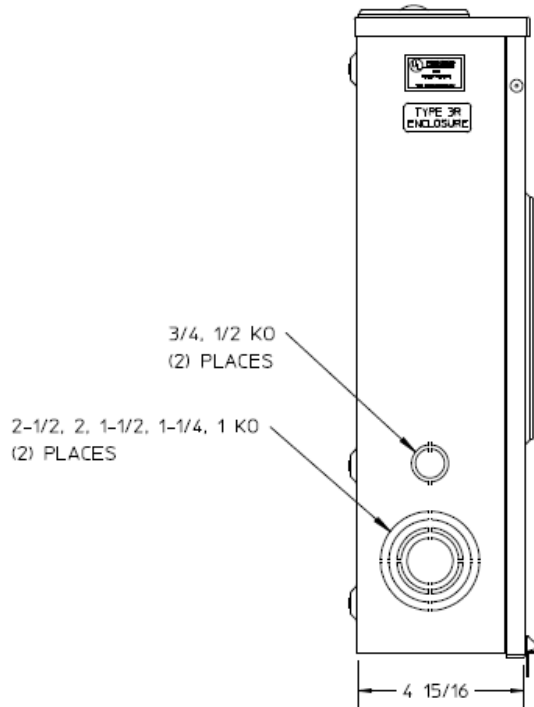
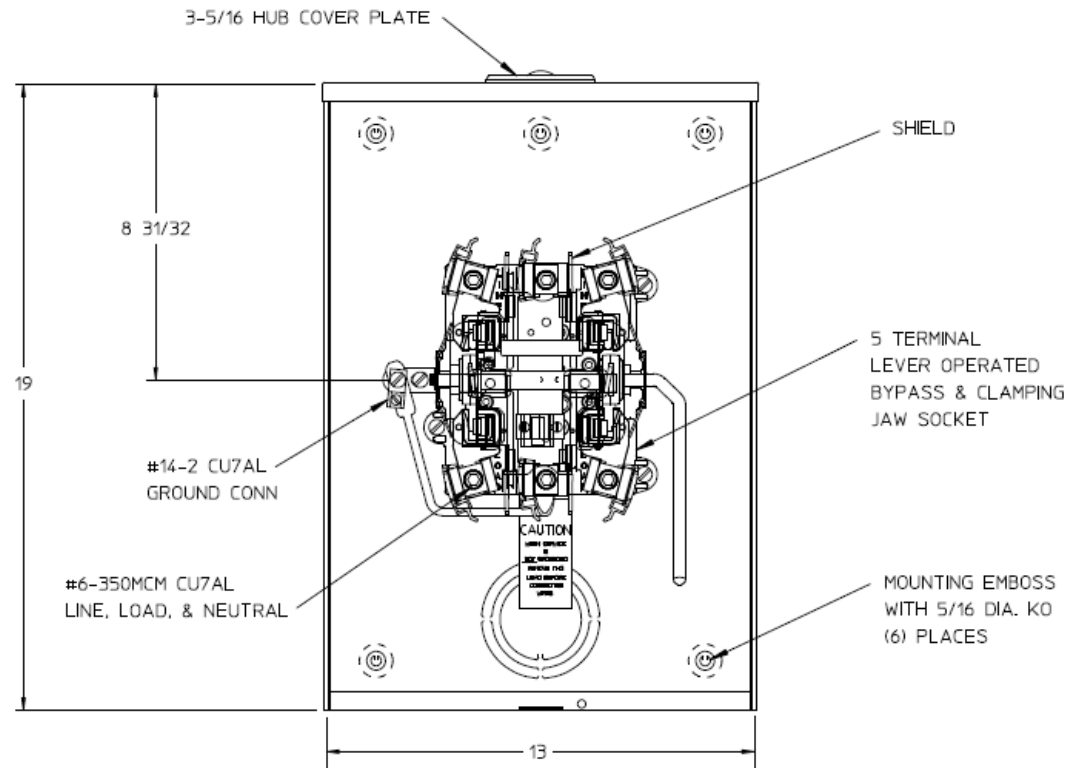


Front View



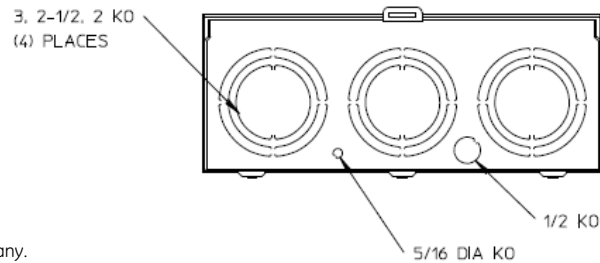
Side View



Notes

- 1) FINISH: GRAY
- 2) CABINET: 16 GA GALV. STEEL
- 3) 200 AMP CONTINUOUS
600VAC, 3 PHASE, 3-WIRE
1 PHASE, 3-WIRE
NETWORK, 3-WIRE
200 AMP BYPASS
- 4) TEMPORARY CARDBOARD
METER OPENING COVER SUPPLIED
- 5) GE LABEL ATTACHED TO THE
END OF THE CARTON
- 6) GE LOGO LOCATED IN THE
LOWER LEFT-HAND CORNER OF THE FRONT
- 7) CENTRAL MAINE POWER APPROVED

Bottom View



METER SOCKET-(1) 200A 600V 1P3W or 3P3W G90 N3R 5
TERM LEVER BYP HUB COVER PLATE TOP/BOT FEED

CAT NO	DWG DATE	REV #
UTH5213CGE	06/09/2016	01