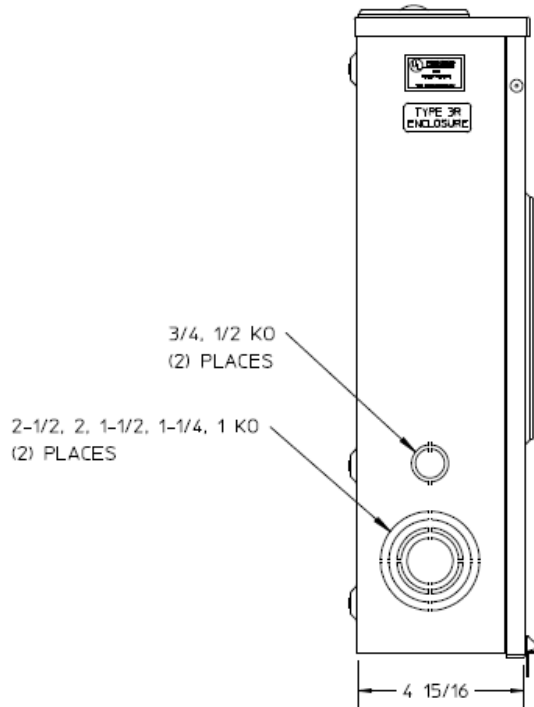
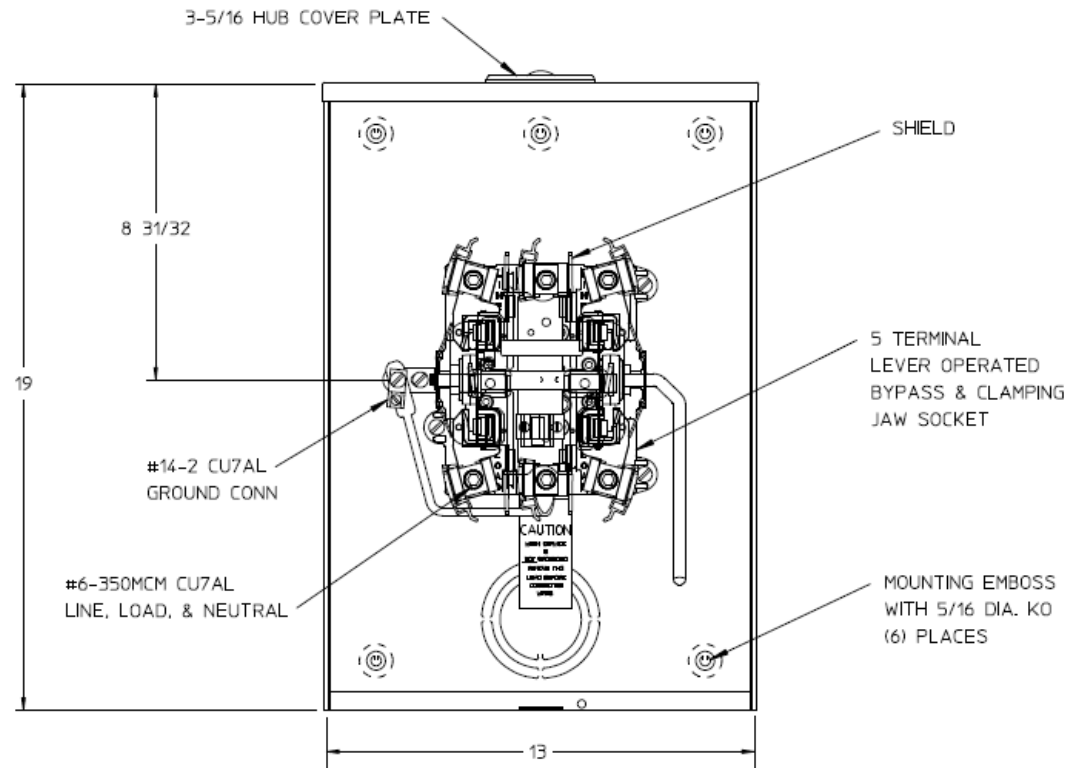


Front View



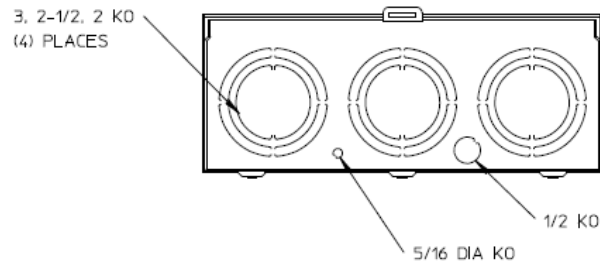
Side View



Notes

- 1) FINISH: GRAY
- 2) CABINET: 16 GA GALV. STEEL
- 3) 200 AMP CONTINUOUS
600VAC, 3 PHASE, 3-WIRE
1 PHASE, 3-WIRE
NETWORK, 3-WIRE
200 AMP BYPASS
- 4) TEMPORARY CARDBOARD
METER OPENING COVER SUPPLIED
- 5) MIDWEST LABEL ATTACHED TO THE
END OF THE CARTON
- 6) MIDWEST LOGO LOCATED IN THE
LOWER LEFT-HAND CORNER OF THE FRONT
- 7) CENTRAL MAINE POWER APPROVED

Bottom View



METER SKT-(1) 200A 600V 3P3W G90 N3R 5 TERM LEVER
BYP SMALL HUBCVRPLT TPLX GRD TOP/BOT FEED

CAT NO	DWG DATE	REV #
UTH5213CMEP	06/09/2016	01