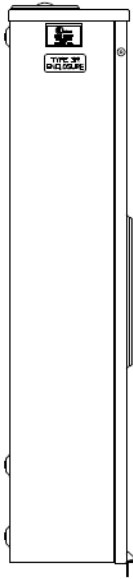
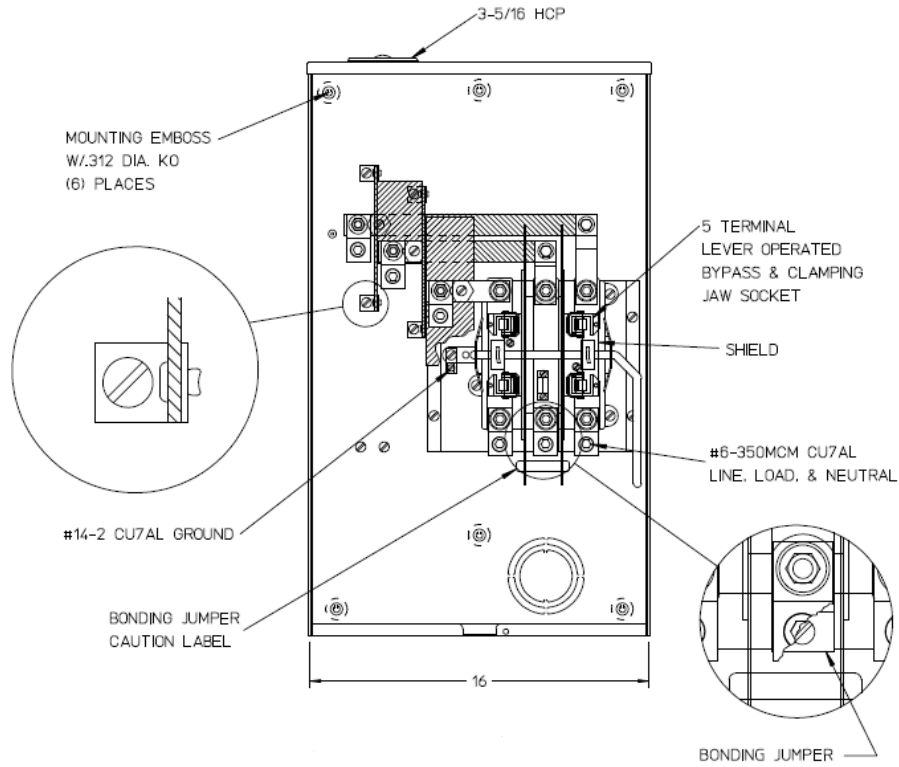


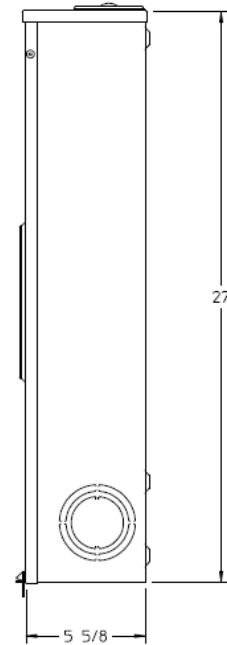
Left Side View



Front View



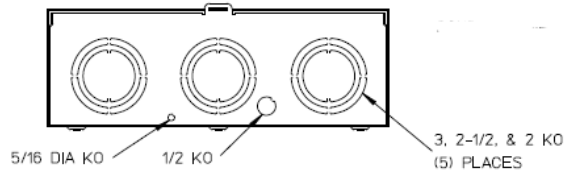
Right Side View




Notes

- 1) FINISH: GRAY
- 2) CABINET: 16 GA GALV. STEEL
- 3) 200 AMP CONTINUOUS
600VAC, 3 PHASE, 3-WIRE
1 PHASE, 3-WIRE
NETWORK, 3-WIRE
200 AMP BYPASS
- 4) TEMPORARY CARDBOARD
METER OPENING COVER PROVIDED
- 5) MIDWEST LABEL ATTACHED TO THE
END OF THE CARTON
- 6) MIDWEST LOGO LOCATED IN THE
LOWER LEFT-HAND CORNER OF THE FRONT
- 7) CENTRAL MAINE POWER APPROVED

Bottom View





METER SKT-(1) 200A 600V 3P3W G90 N3R 5 TERM LEVER
BYP SMALL HUBCOVERPLT TRIPLEX GRD TOP/BOT FEED

CAT NO	DWG DATE	REV #
UTH5233CMEP	06/09/2016	01