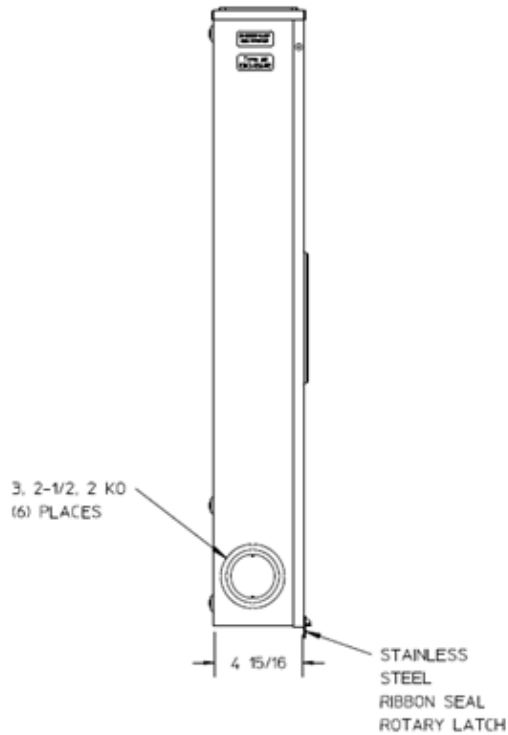
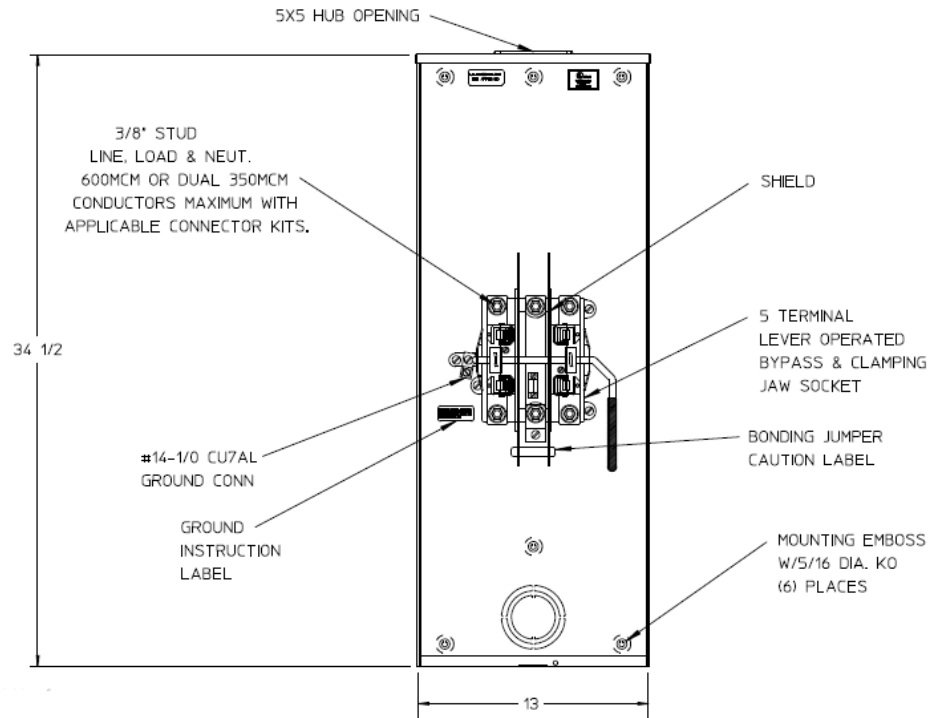


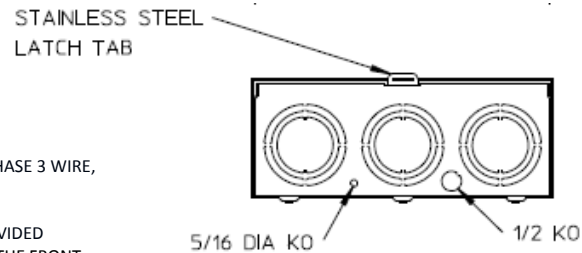
Left Side View



Front View Interior



Bottom View



Notes

- 1) FINISH: GRAY
- 2) CABINET: 16 GA GALV STEEL
- 3) 320 AMP CONTINUOUS, 600 VAC, 3 PHASE, 3 WIRE, 1 PHASE 3 WIRE, NETWORK 3 WIRE, 320 AMP BYPASS
- 4) GE LABEL ATTACHED TO THE END OF THE CARTON
- 5) TEMPORARY CARDBOARD METER OPENING COVER PROVIDED
- 6) GE LOGO STAMPED ON LOWER LEFT HAND CORNER OF THE FRONT



METER SKT-(1) 320A 600V 1P3W OR 3P3W G90 N3R 5-TRM
LARGE HUB OPN TOP/BOT FEED LEVER BYP TPLX GRD MEG

CAT NO	DWG DATE	REV #
UTH5300TFLGE	06/16/2016	01