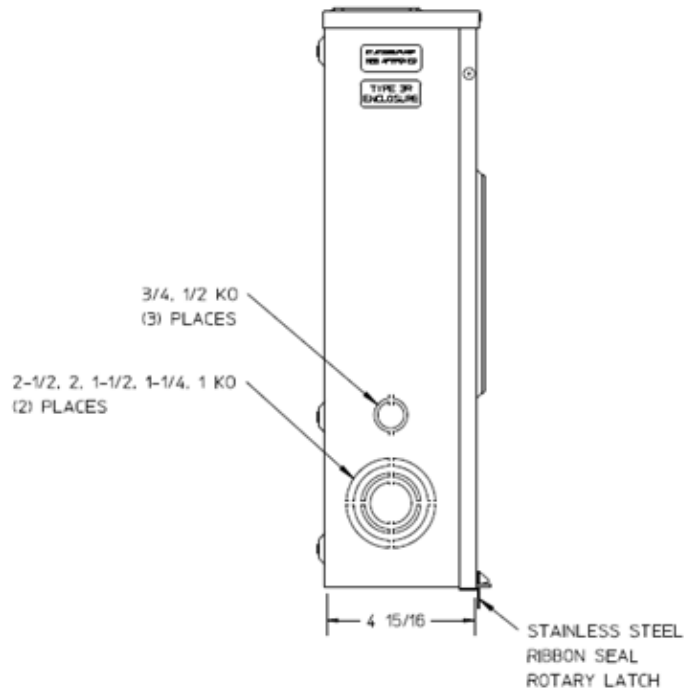
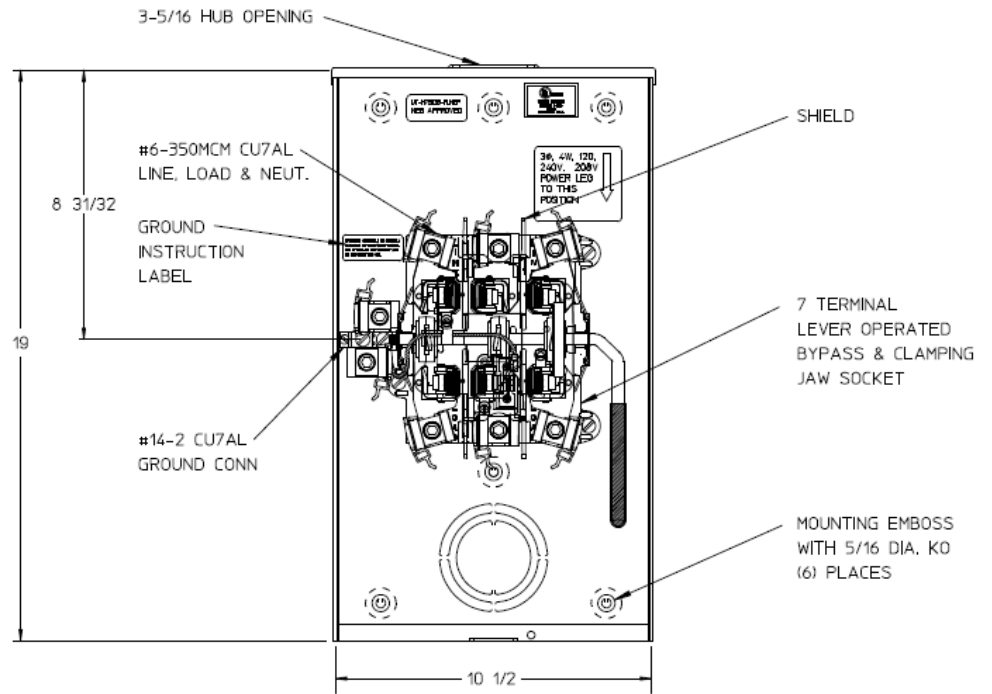


### Left Side View



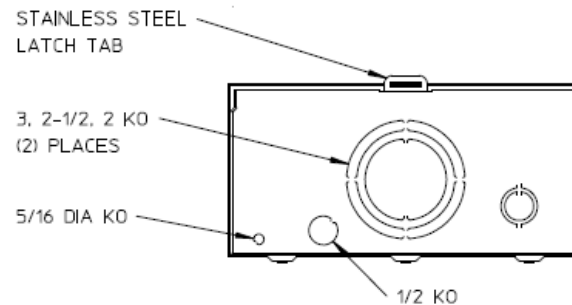
### Front View Interior



### Notes

- 1) FINISH: GRAY
- 2) CABINET: 16 GA GALV STEEL
- 3) 200 AMP CONTINUOUS  
600 VAC, 3 PHASE, 4 WIRE  
200 AMP BYPASS
- 4) TEMPORARY CARDBOARD METER  
OPENING COVER SUPPLIED
- 5) MIDWEST LABEL ATTACHED TO THE  
END OF THE CARTON
- 6) MIDWEST LOGO LOCATED IN THE LOWER  
LEFT-HAND CORNER OF THE FRONT

### Bottom View



METER SKT-(1) 200A 600V 3P4W G90 N3R 7-TERM SMALL HUB  
OPENING TOP/BOT FEED TPLX GRD MEG APPROVED

CAT NO	DWG DATE	REV #
UTH7203BFLMEP	06/16/2016	01