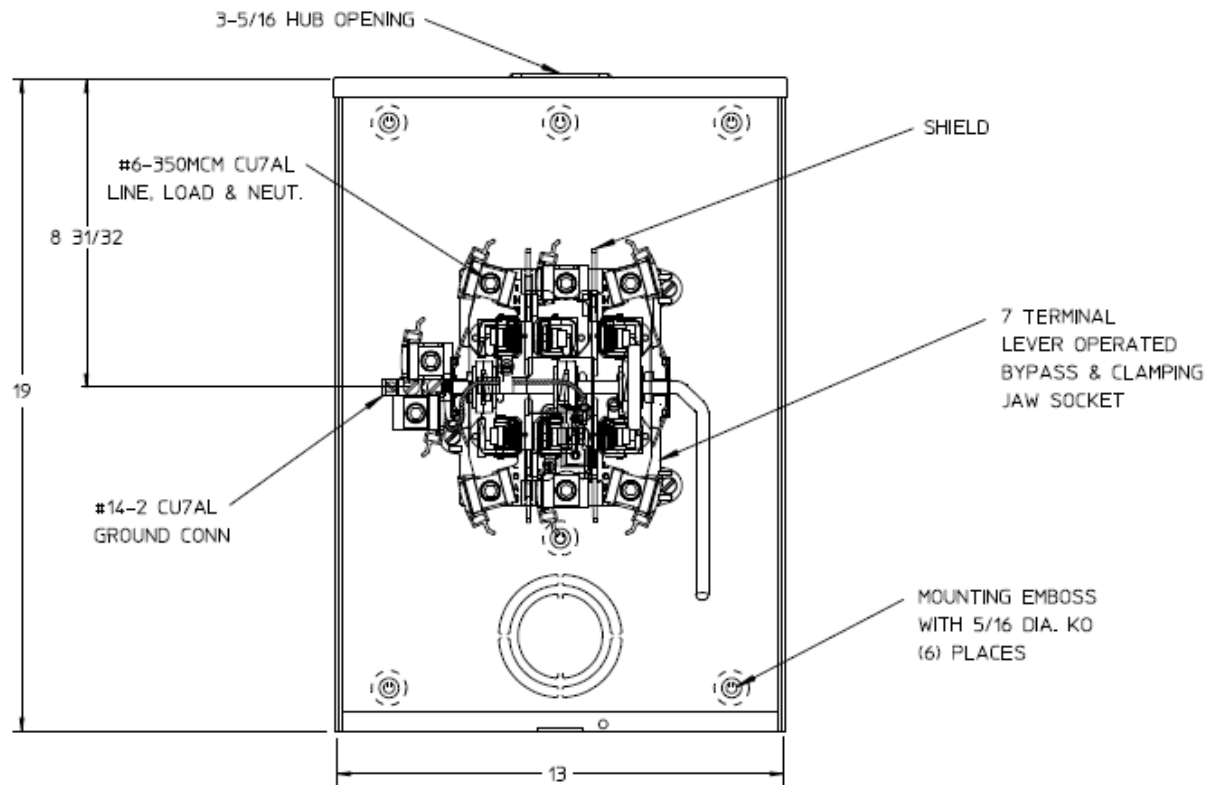
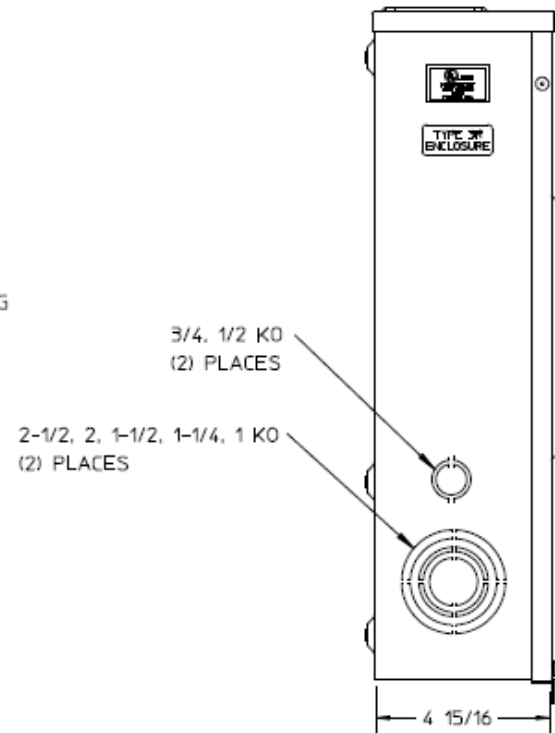


### Front View



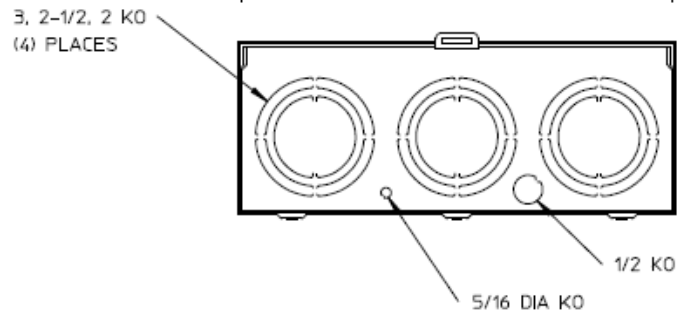
### Side View




### Notes

- 1) FINISH: GRAY
- 2) CABINET: 16 GA GALV. STEEL
- 3) 200 AMP CONTINUOUS  
600 VAC, 3 PHASE, 4 WIRE  
200 AMP BYPASS
- 4) TEMPORARY CARDBOARD METER  
OPENING COVER SUPPLIED
- 5) MIDWEST LABEL ATTACHED TO THE  
END OF THE CARTON
- 6) MIDWEST LOGO LOCATED IN THE LOWER  
LEFT-HAND CORNER OF THE FRONT

### Bottom View



		
METER SOCKET-(1) 200A 600V 3P4W G90 N3R 7 TERM LEVER BYP HUB OPENING TOP/BOT FEED		
<b>CAT NO</b>	<b>DWG DATE</b>	<b>REV #</b>
UTH7213BMEP	02/10/2016	01