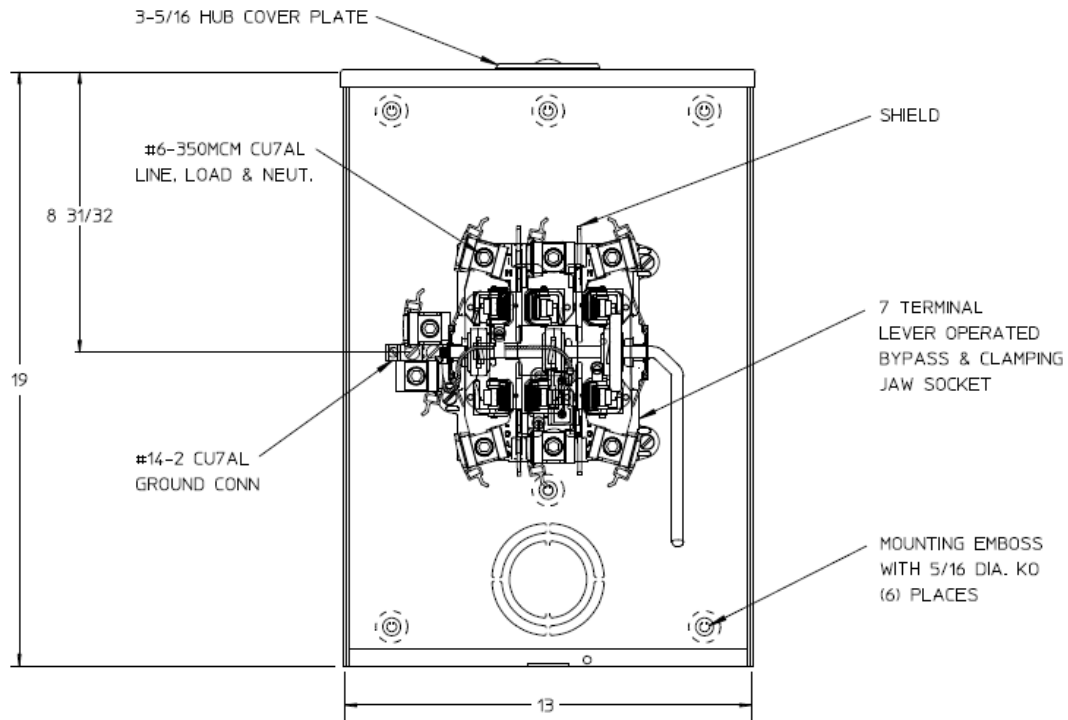
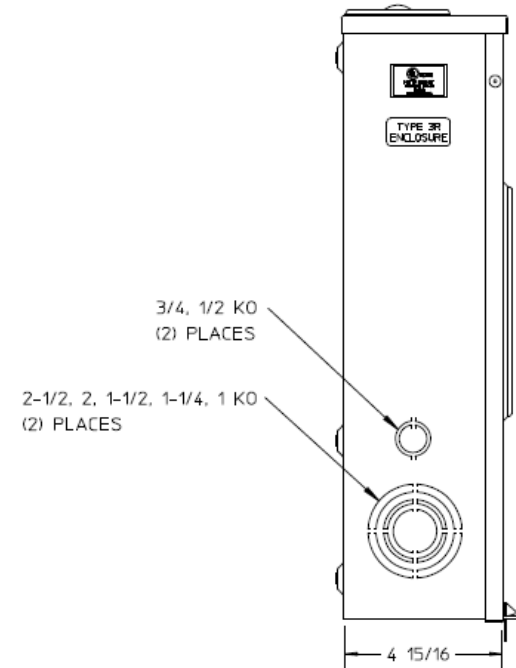


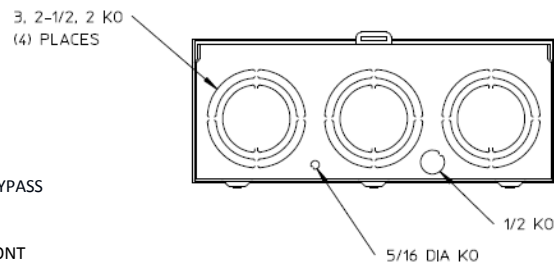
### Front View



### Side View



### Bottom View



### Notes

- 1) FINISH: GRAY
- 2) CABINET: 16 GA GALV STEEL
- 3) 200 AMP CONTINUOUS, 600 VAC, 3 PHASE, 4 WIRE, 200 AMP BYPASS
- 4) GE LABEL ATTACHED TO THE END OF THE CARTON
- 5) TEMPORARY CARDBOARD METER OPENING COVER PROVIDED
- 6) GE LOGO STAMPED ON LOWER LEFT HAND CORNER OF THE FRONT

GE is a registered trademark used under license from General Electric company.



METER SKT-(1) 200A 600V 3P4W G90 N3R TRIPLEX GRD 7-TRM LVR BYP SMALL HUB CVR PLT TOP/BOT FEED XCEL

CAT NO	DWG DATE	REV #
UTH7213CGE	08/12/2016	01