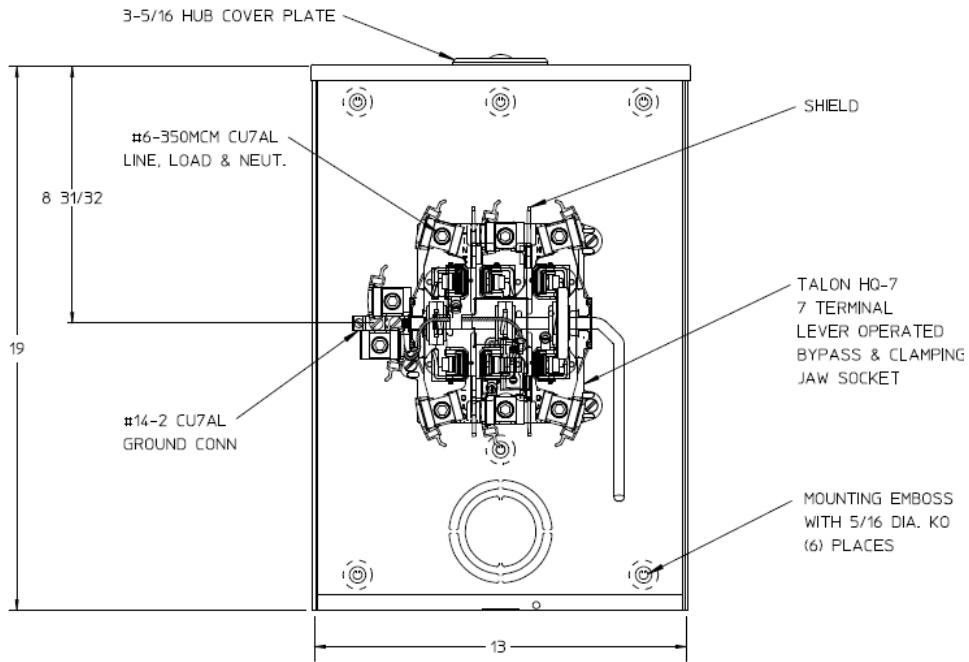
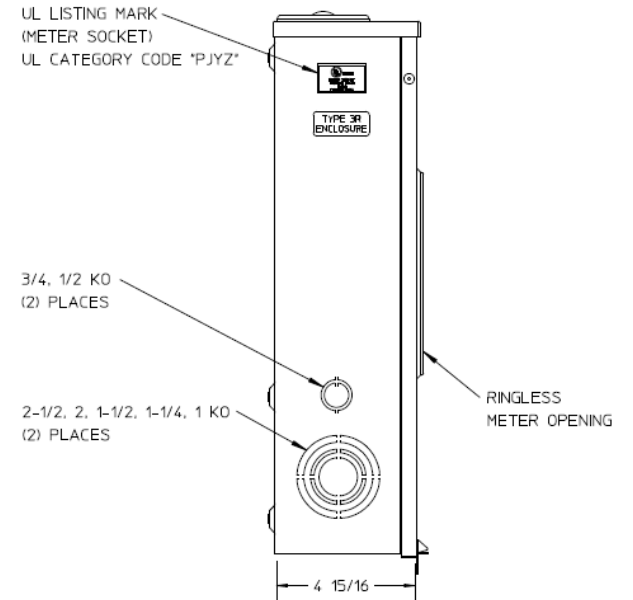


Front View



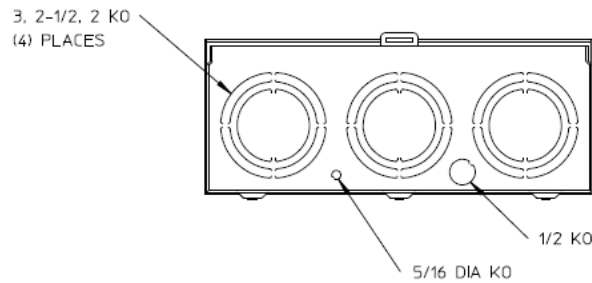
Side View



Notes

- 1) FINISH: GRAY
- 2) CABINET: 16 GA GALV. STEEL
- 3) 200 AMP CONTINUOUS
600 VAC, 3 PHASE, 4 WIRE
200 AMP BYPASS
- 4) TEMPORARY CARDBOARD METER
OPENING COVER SUPPLIED
- 5) MIDWEST LABEL ATTACHED TO THE
END OF THE CARTON
- 6) MIDWEST LOGO LOCATED IN THE LOWER
LEFT-HAND CORNER OF THE FRONT
- 7) 7TH TERMINAL IS WIRED DIRECTLY TO
THE NEUTRAL WITH #16 AWG MINIMUM
CU WIRE.

Bottom View





METER SKT-(1) 200A 600V 3P4W G90 N3R TRIPLEX GRD 7-TRM LVR BYP SMALL HUB CVR PLT TOP/BOT FEED XCEL		
CAT NO	DWG DATE	REV #
UTH7213CMEP	03/08/2017	01