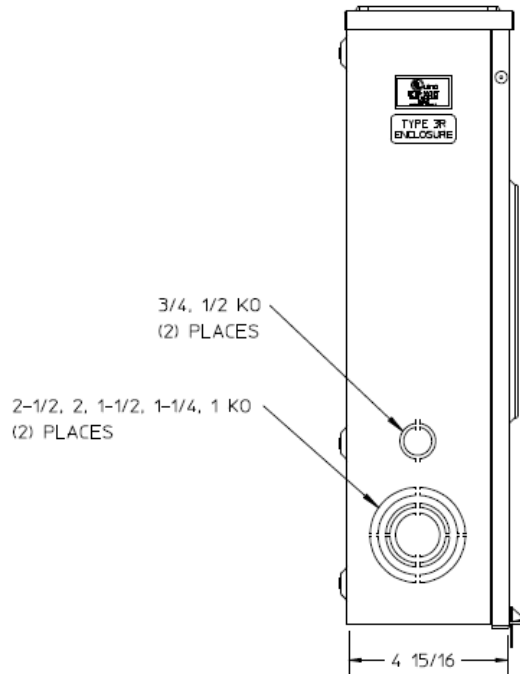
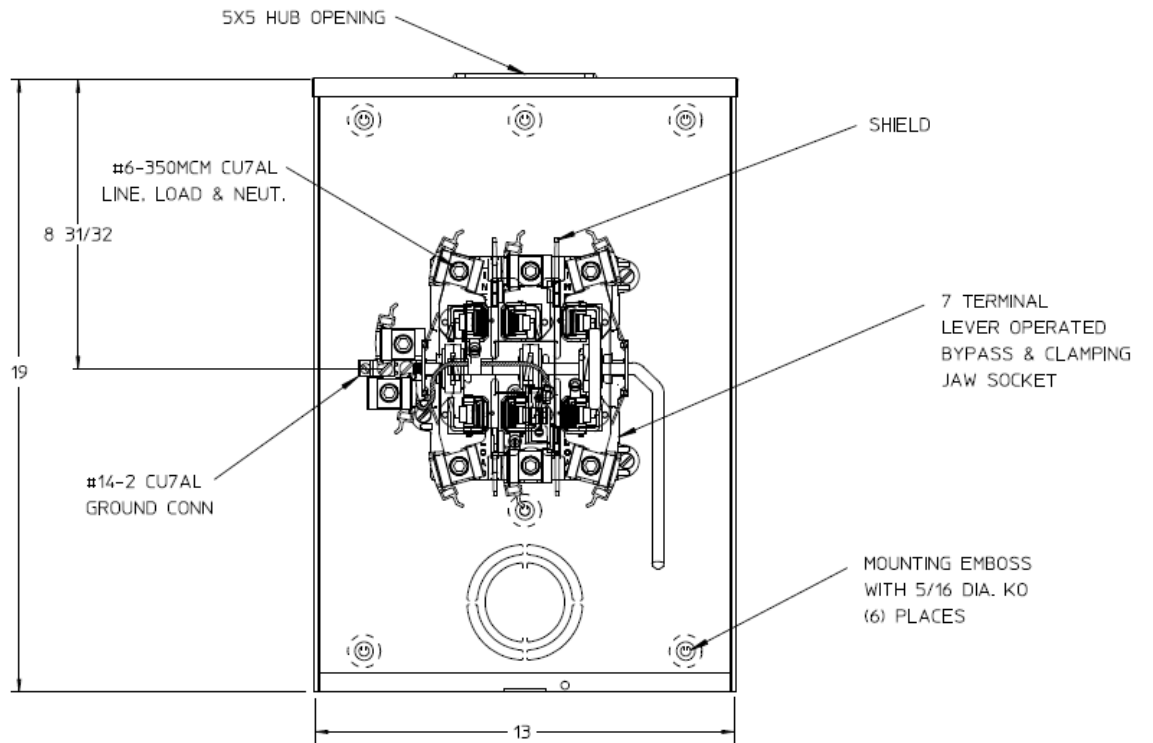


Left Side View



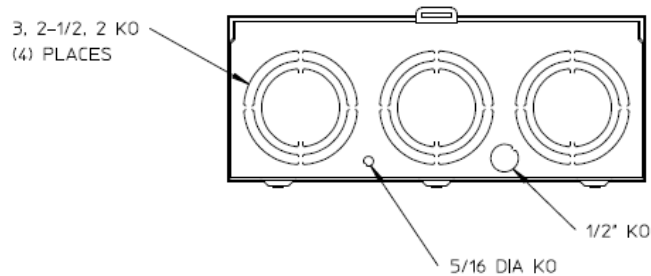
Front View Interior



Notes

- 1) FINISH: GRAY
- 2) CABINET: 16 GA GALV. STEEL
- 3) 200 AMP CONTINUOUS
600 VAC, 3 PHASE, 4 WIRE
200 AMP BYPASS
- 4) TEMPORARY CARDBOARD METER
OPENING COVER SUPPLIED
- 5) MIDWEST LABEL ATTACHED TO THE
END OF THE CARTON
- 6) MIDWEST LOGO LOCATED IN THE LOWER
LEFT-HAND CORNER OF THE FRONT

Bottom View



METER SKT-(1) 200A 600V 3P4W G90 N3R 7-TERM LEVER
BYP TRIPLEX GRD LARGE HUB OPENING TOP/BOT FEED

CAT NO	DWG DATE	REV #
UTH7213TMEP	04/15/2016	02