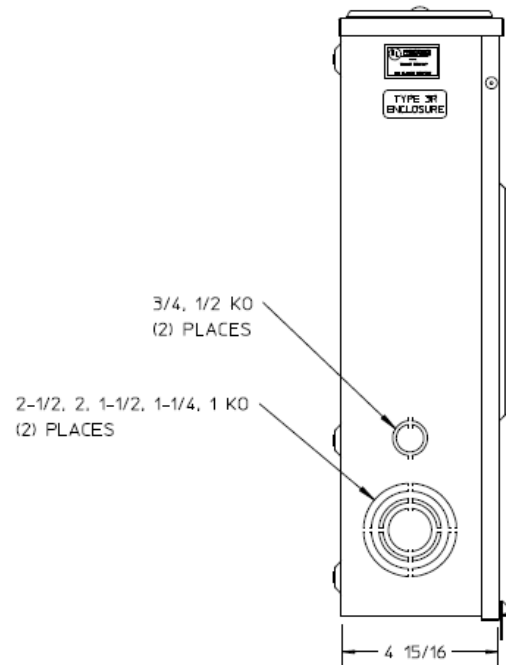
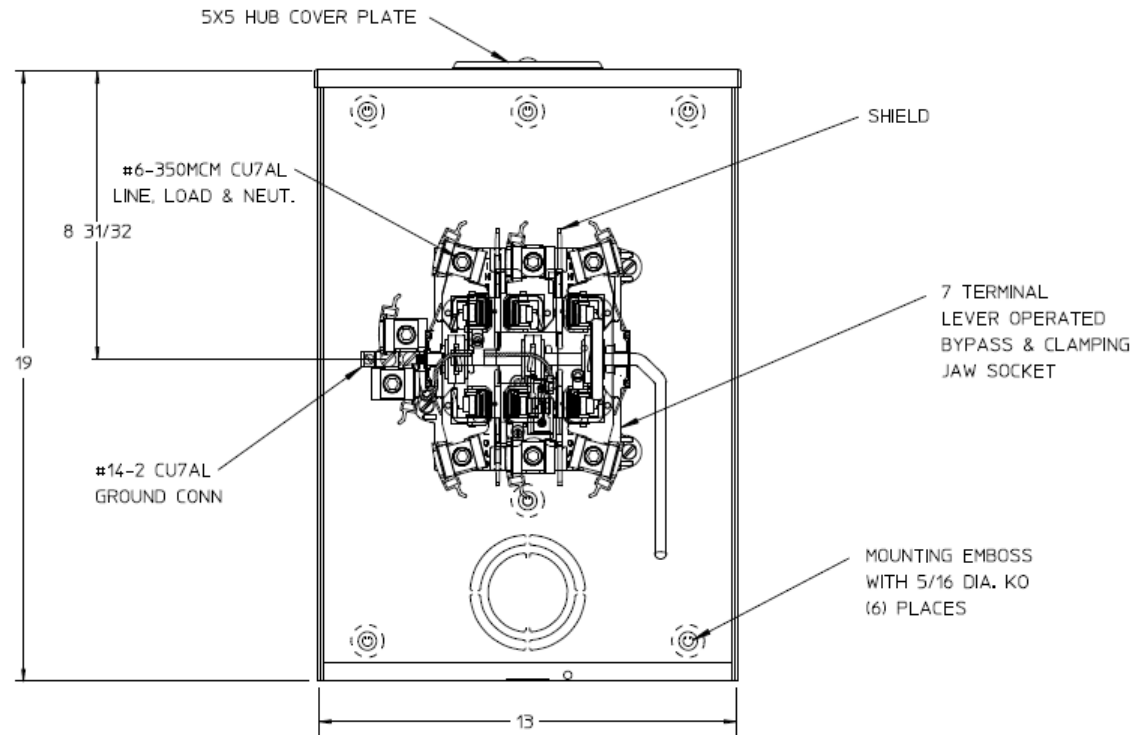


### Left Side View



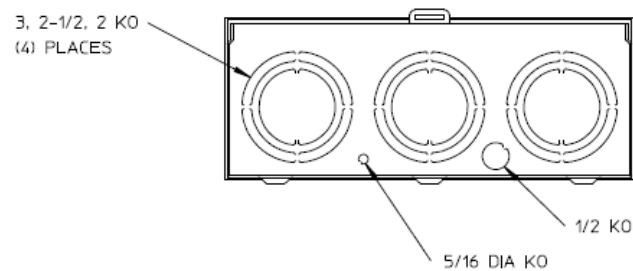
### Front View Interior



### Notes

- 1) FINISH: GRAY
- 2) CABINET: 16 GA GALV. STEEL
- 3) 200 AMP CONTINUOUS  
600VAC, 3 PHASE, 4-WIRE  
200 AMP BYPASS
- 4) TEMPORARY CARDBOARD  
METER OPENING COVER PROVIDED
- 5) MIDWEST LABEL ATTACHED TO THE  
END OF THE CARTON
- 6) MIDWEST LOGO LOCATED IN THE  
LOWER LEFT-HAND CORNER OF THE FRONT
- 7) CENTRAL MAINE POWER APPROVED

### Bottom View



METER SOCKET-(1) 200A 600V 3P4W G90 N3R 7-TERM LARGE  
HUB COVER PLT TRIPLEX GRD LEVER BYPASS TOP/BOT FEED

CAT NO	DWG DATE	REV #
UTH7213UMEP	04/15/2016	02