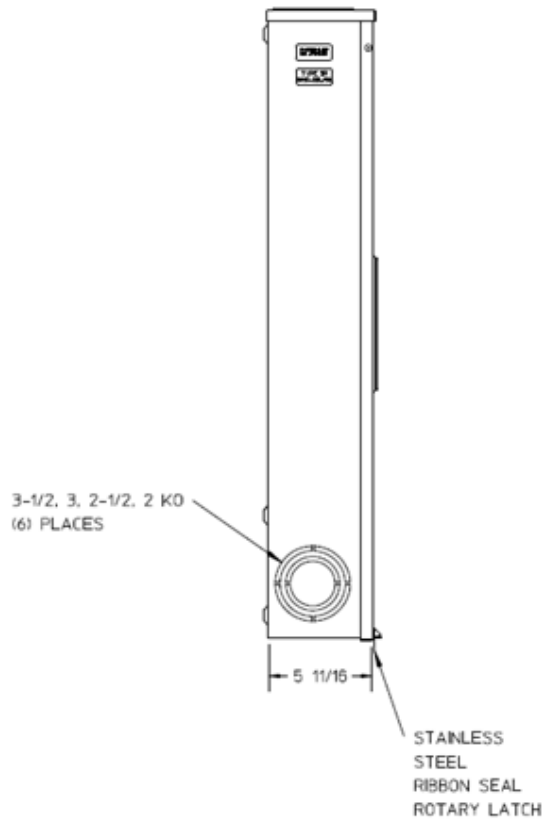
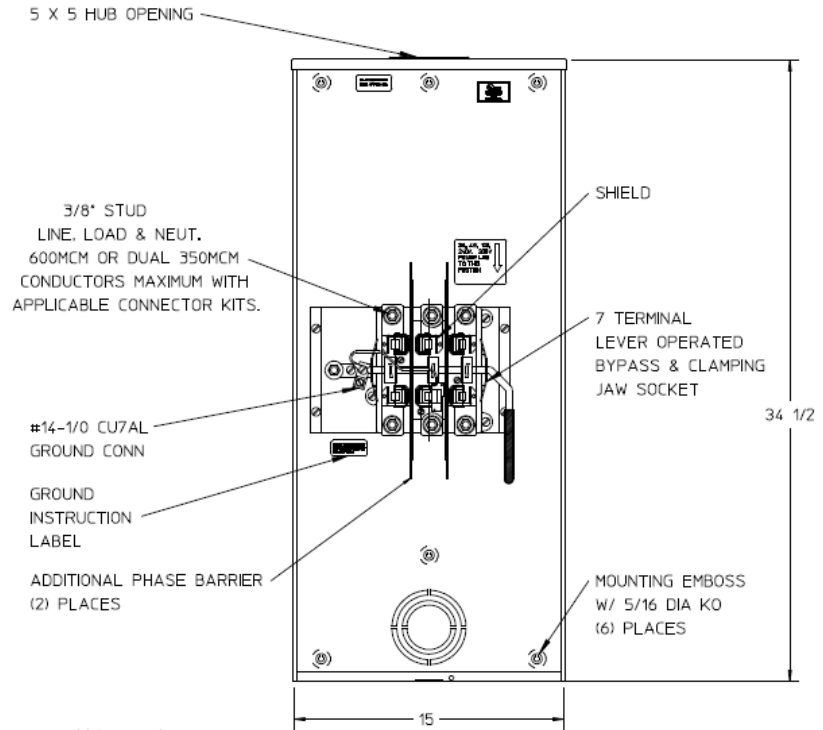


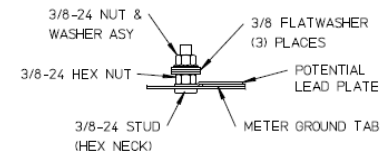
Left Side View



Front View Interior



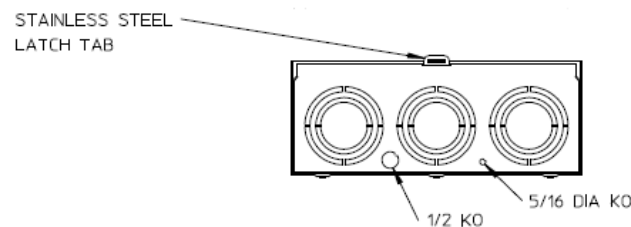
Neutral Stud Detail



Notes

- 1) FINISH: GRAY
- 2) CABINET: 16 GA GALV. STEEL
- 3) 320 AMP CONTINUOUS
600 VAC, 3 PHASE, 4 WIRE
320 AMP BYPASS
- 4) TEMPORARY CARDBOARD METER OPENING COVER PROVIDED.
- 5) MIDWEST LABEL ATTACHED TO THE END OF THE CARTON.
- 6) MIDWEST LOGO STAMPED ON LOWER LEFT HAND CORNER OF FRONT.

Bottom View



METER SKT-(1) 320A 600V 3P4W G90 N3R 7TRM LARGE HUB OPNG LEVER BYP TOP/BOT FEED TPLX GRD MEG APPROVED

CAT NO	DWG DATE	REV #
UTH7300TFLMEP	06/16/2016	01