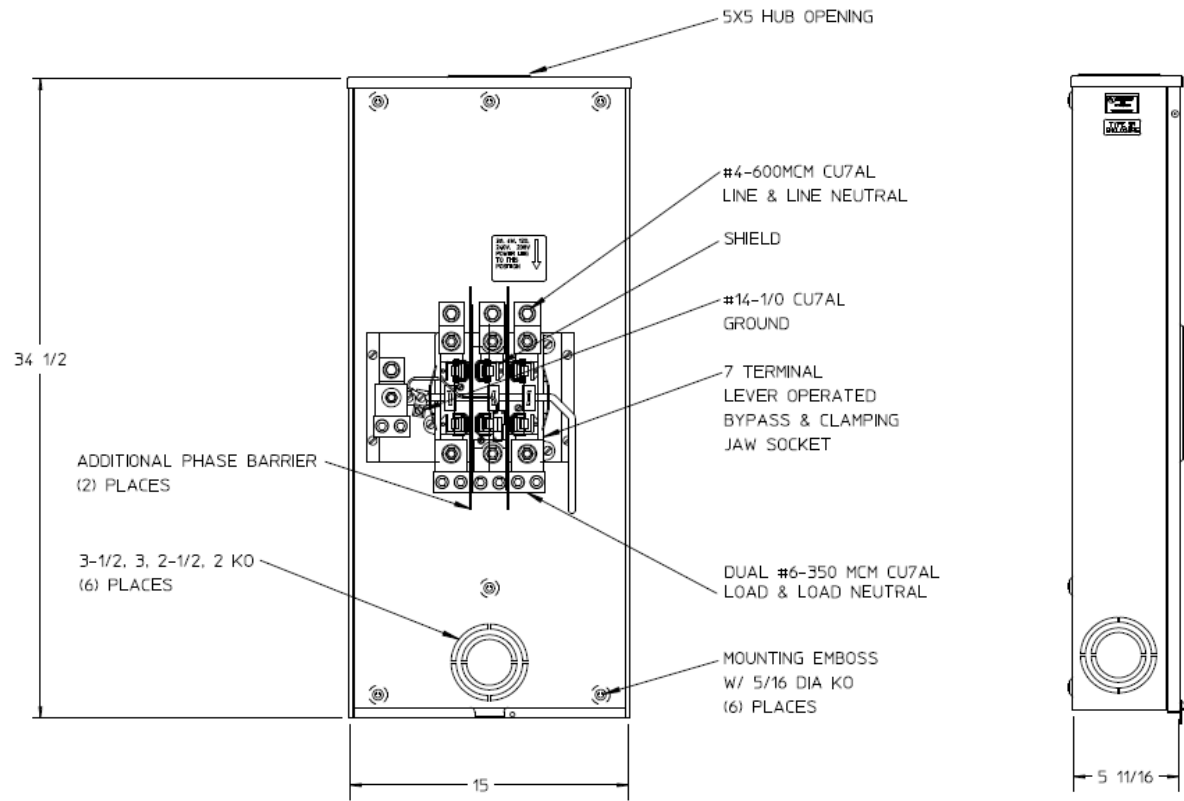
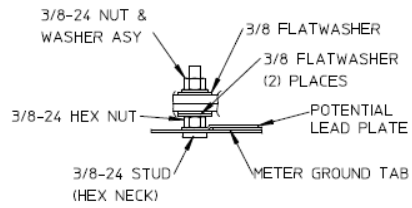


Front View

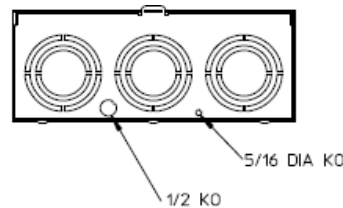
Side View



Neutral Stud Detail



Bottom View



Notes

- 1) FINISH: GRAY
- 2) CABINET: 16 GA GALV STEEL
- 3) 320 AMP CONTINUOUS, 600 VAC, 3 PHASE, 4 WIRE, 320 AMP BYPASS
- 4) GE LABEL ATTACHED TO THE END OF THE CARTON
- 5) TEMPORARY CARDBOARD METER OPENING COVER PROVIDED
- 6) GE LOGO STAMPED ON LOWER LEFT HAND CORNER OF THE FRONT

GE is a registered trademark used under license from General Electric company.



METER SOCKET-(1) 320A 600V 3P4W G90 N3R 7-TERM
LARGE HUB OPNG LVR BYP TPLX GRD TOP/BOT FEED

CAT NO	DWG DATE	REV #
UTH73069THLGE	02/10/2016	01