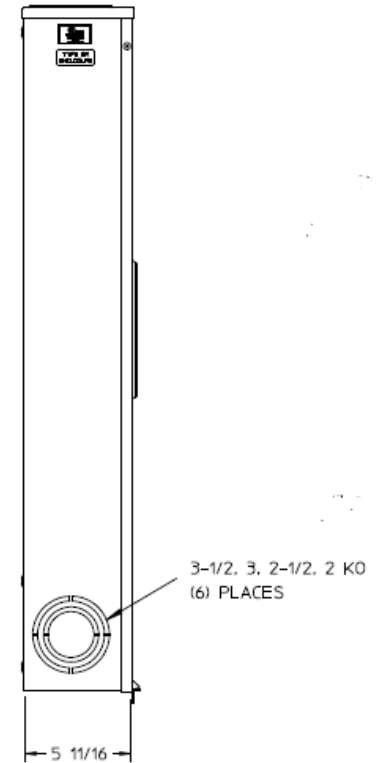
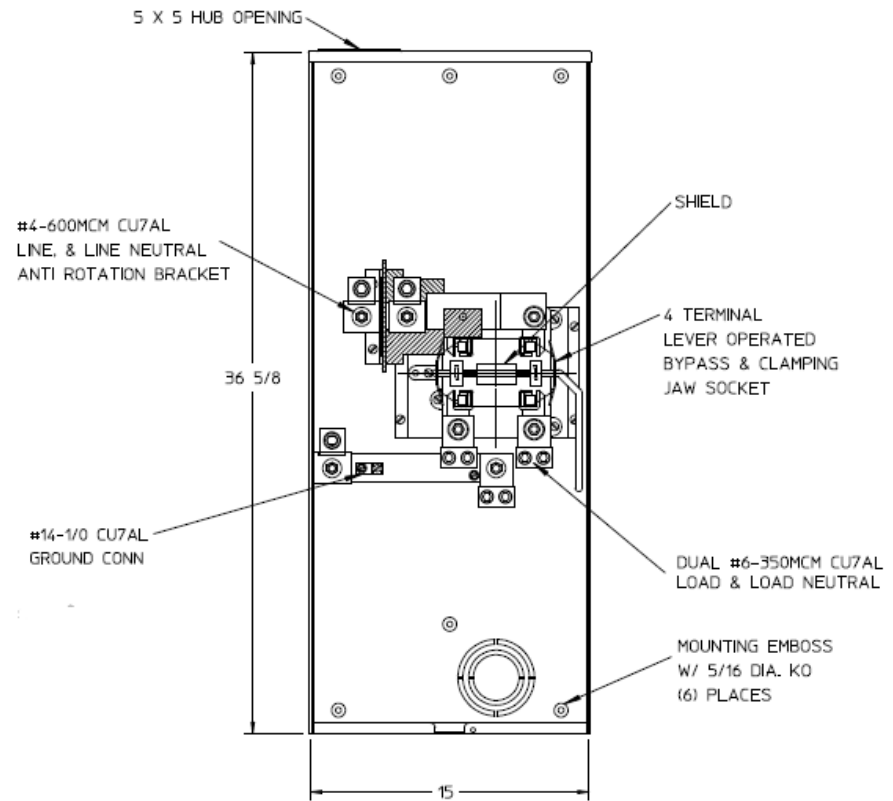
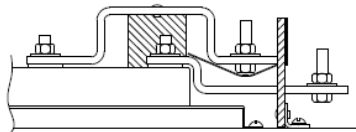


Front View

Side View



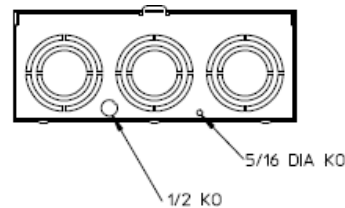
Line Bus Detail




Notes

- 1) FINISH: GRAY
- 2) CABINET: 16 GA GALV. STEEL
- 3) 320 AMP CONTINUOUS
600 VAC, 1 PHASE, 3 WIRE
320 AMP BYPASS
- 4) TEMPORARY CARDBOARD METER
OPENING COVER PROVIDED
- 5) MIDWEST LABEL ATTACHED TO THE
END OF THE CARTON
- 6) MIDWEST LOGO LOCATED IN THE LOWER
LEFT-HAND CORNER OF THE FRONT

Bottom View





METER SOCKET-(1) 320A 600V 1P3W G90 N3R 4-TERM
LARGE HUB OPNG LVR BYP TPLX GRD TOP/BOT FEED

CAT NO	DWG DATE	REV #
UTH73069THLMEP	02/10/2016	01