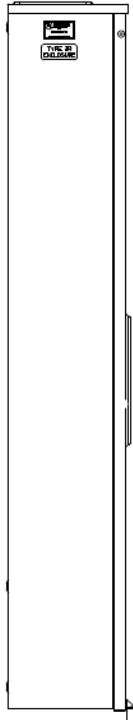
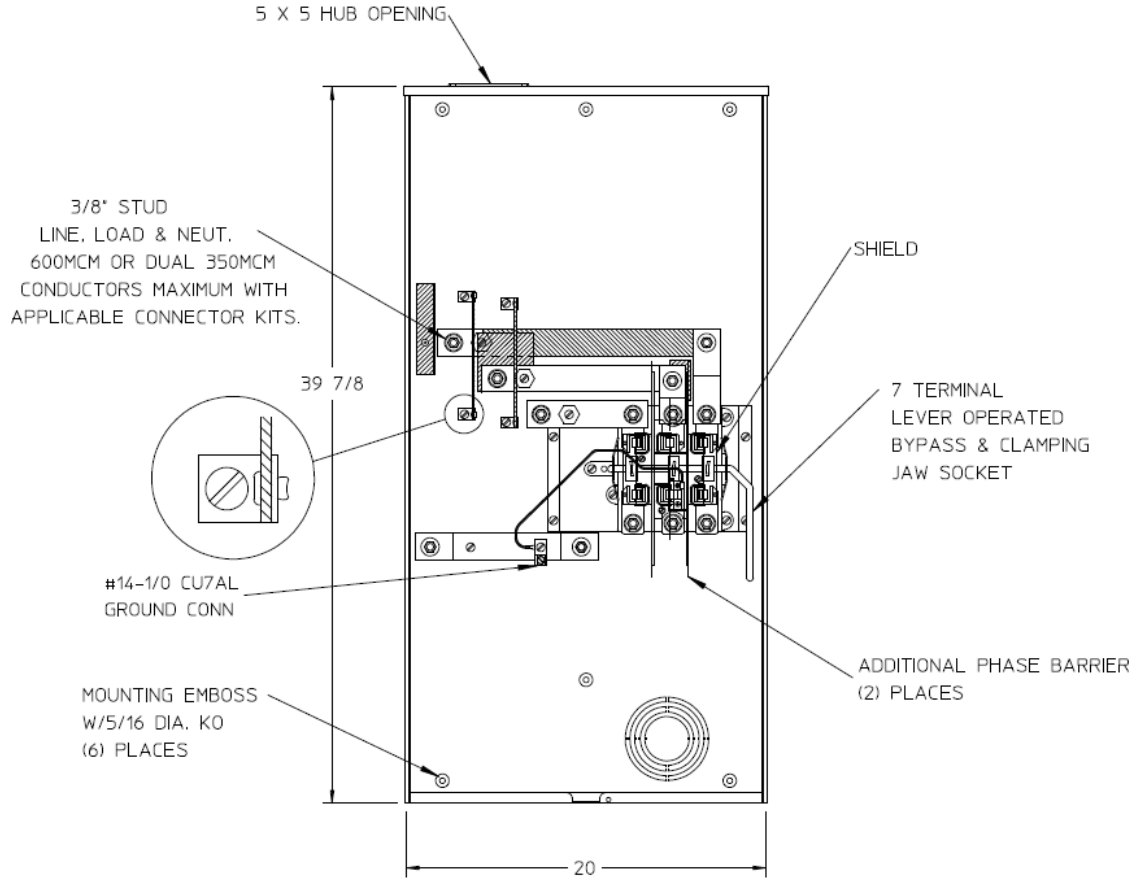


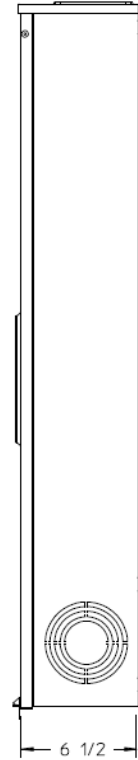
Left Side View



Front View Interior



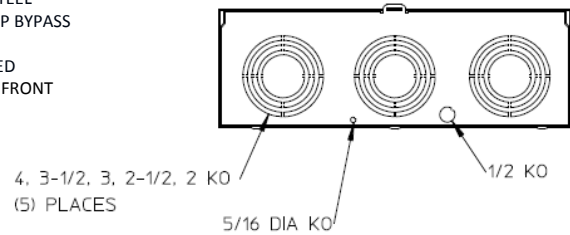
Right Side View



Notes

- 1) FINISH: GRAY
- 2) CABINET: BACK IS FABRICATED FROM 14 GA GALV STEEL. TOP, BOTTOM AND FRONT ARE FABRICATED FROM 16GA GALV STEEL
- 3) 320 AMP CONTINUOUS, 600 VAC, 3 PHASE, 4 WIRE, 320 AMP BYPASS
- 4) GE LABEL ATTACHED TO THE END OF THE CARTON
- 5) TEMPORARY CARDBOARD METER OPENING COVER PROVIDED
- 6) GE LOGO STAMPED ON LOWER LEFT HAND CORNER OF THE FRONT

Bottom View



METER SOCKET-(1) 320A 600V 3P4W G90 N3R 7-TERM LARGE HUB OPENING LEVER BYP TRIPLEX GRD TOP/BOT FEED

CAT NO	DWG DATE	REV #
UTH7330TGE	04/15/2016	02