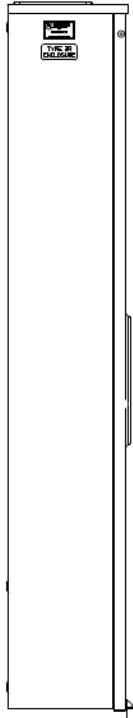
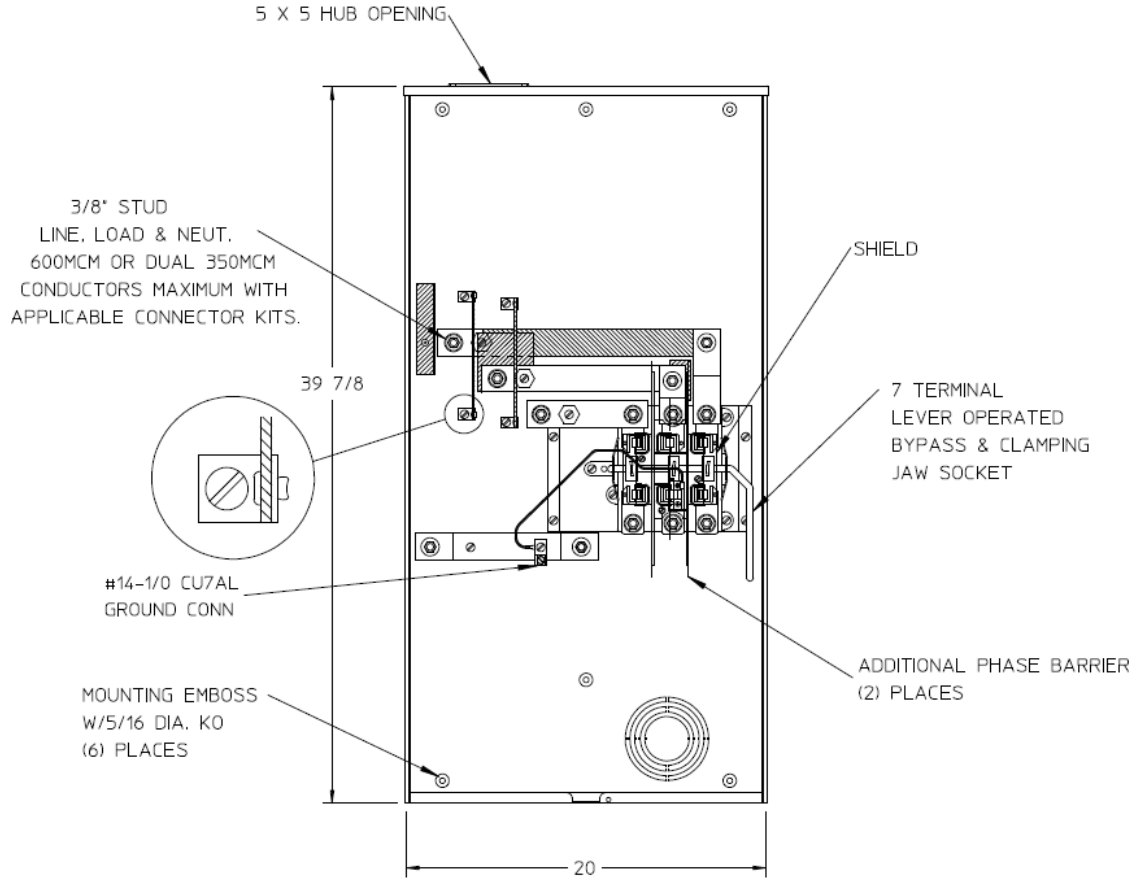


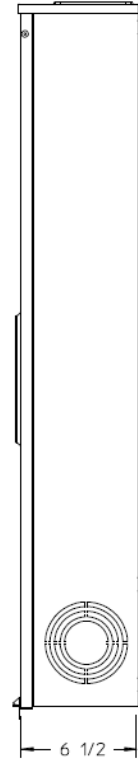
### Left Side View



### Front View Interior



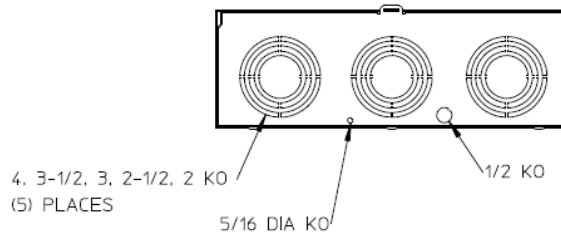
### Right Side View



### Notes

- 1) FINISH: GRAY
- 2) CABINET: BACK IS FABRICATED FROM 14GA. GALV. STEEL. TOP, BOTTOM AND FRONT IS FABRICATED FROM 16GA. GALV. STEEL.
- 3) 320 AMP CONTINUOUS  
600 VAC, 3 PHASE, 4 WIRE  
320 AMP BYPASS
- 4) TEMPORARY CARDBOARD METER OPENING COVER PROVIDED
- 5) MIDWEST LABEL ATTACHED TO THE END OF THE CARTON
- 6) MIDWEST LOGO LOCATED IN THE LOWER LEFT-HAND CORNER OF THE FRONT

### Bottom View



METER SOCKET-(1) 320A 600V 3P4W G90 N3R 7-TERM LARGE HUB OPENING LEVER BYP TRIPLEX GRD TOP/BOT FEED

CAT NO	DWG DATE	REV #
UTH7330TMEP	04/15/2016	02