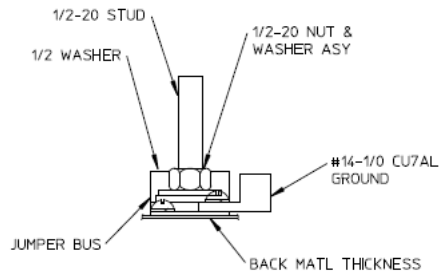


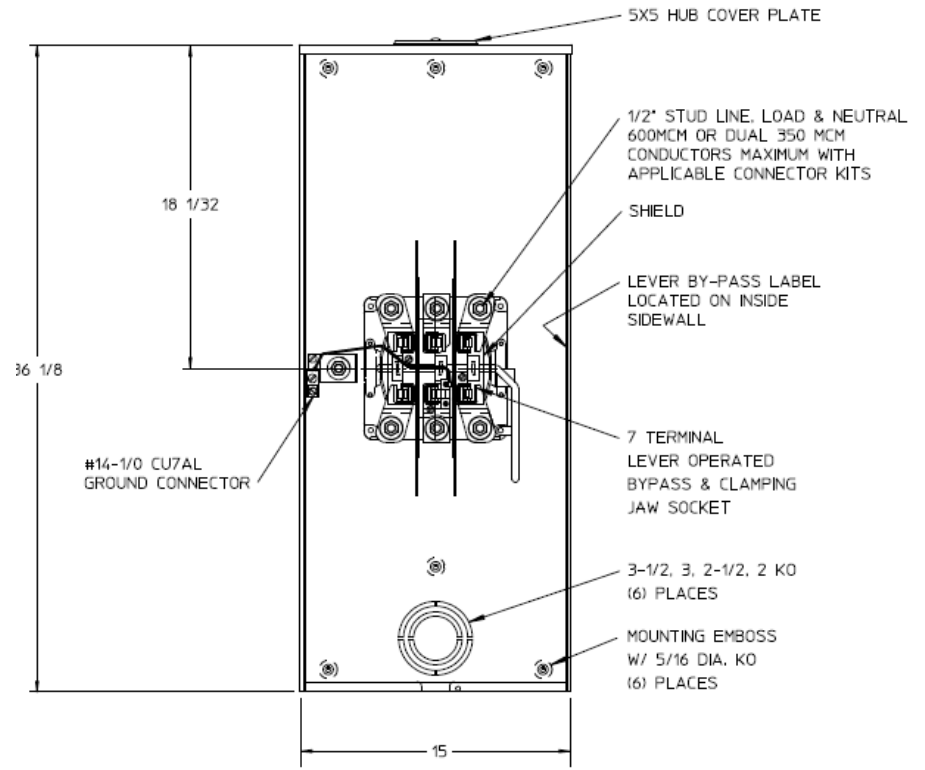
Neutral Stud Detail



Side View



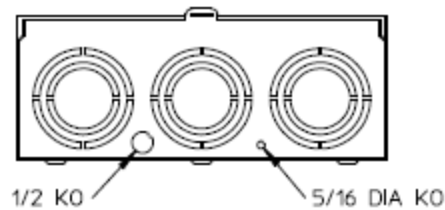
Front View




Notes

- 1) FINISH: GRAY
- 2) CABINET: 16 GA GLV STEEL
- 3) 320 AMP CONTINUOUS, 600 VAC, 3 PHASE, 4 WIRE, 320 AMP BYPASS
- 4) GE LABEL ATTACHED TO THE END OF THE CARTON
- 5) TEMPORARY CARDBOARD METER OPENING COVER PROVIDED
- 6) GE SAFETY LABEL LOCATED IN THE LOWER RIGHT-HAND CORNER OF THE FRONT

Bottom View



		
METER SOCKET-(1) 320A 600V 3P4W G90 N3R 7-TERM LARGE HUB COVER PLT LEVER BYP TRIPLEX GRD TOP/BOT FEED		
CAT NO	DWG DATE	REV #
UTJ7300UGE	12/21/2016	01