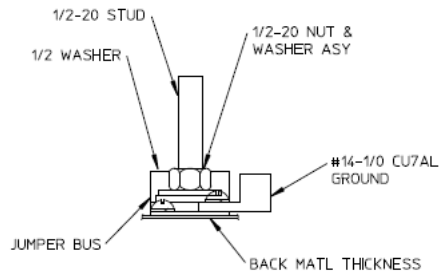


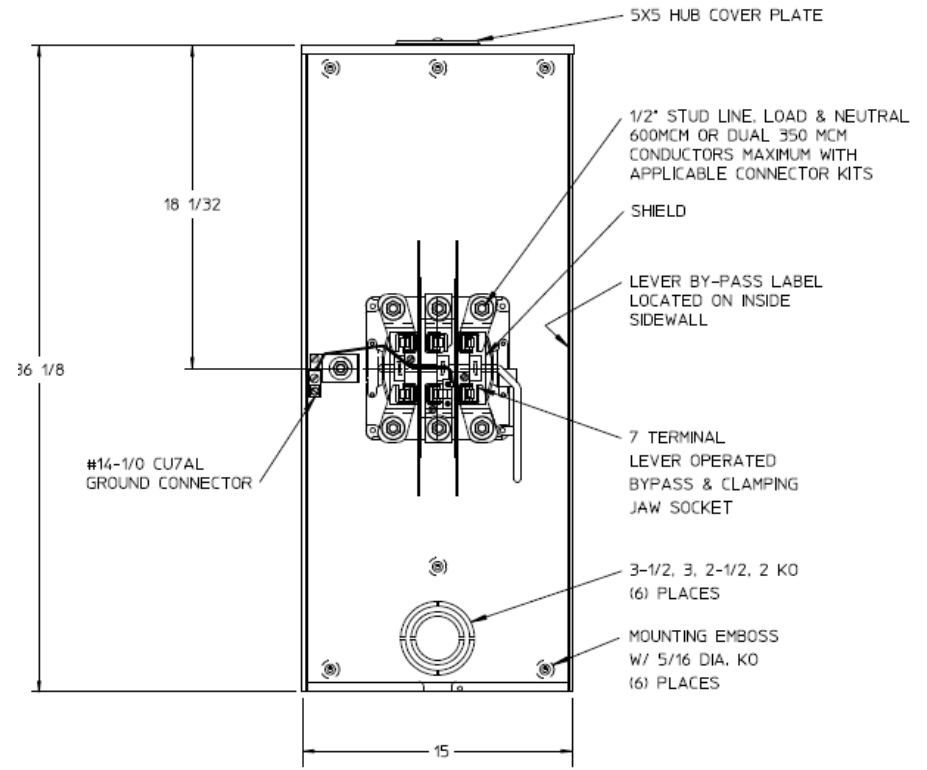
### Neutral Stud Detail



### Side View



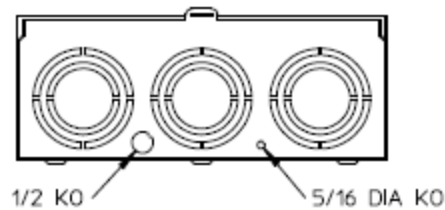
### Front View



### Notes

- 1) FINISH: GRAY
- 2) CABINET: 16 GA GALV. STEEL
- 3) 320 AMP CONTINUOUS  
600 VAC, 3 PHASE, 4 WIRE  
320 AMP BYPASS
- 4) TEMPORARY CARDBOARD METER OPENING COVER PROVIDED.
- 5) MIDWEST LABEL ATTACHED TO THE END OF THE CARTON.
- 6) MIDWEST LOGO LOCATED IN THE LOWER LEFT-HAND CORNER OF THE FRONT.

### Bottom View



METER SOCKET-(1) 320A 600V 3P4W G90 N3R 7-TERM LARGE HUB COVER PLT LEVER BYP TRIPLEX GRD TOP/BOT FEED

CAT NO	DWG DATE	REV #
UTJ7300UMEP	12/21/2016	01