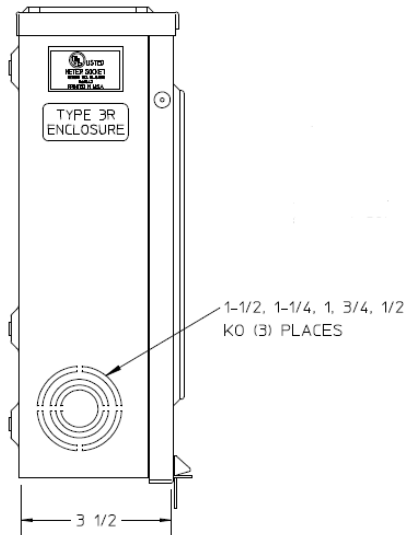
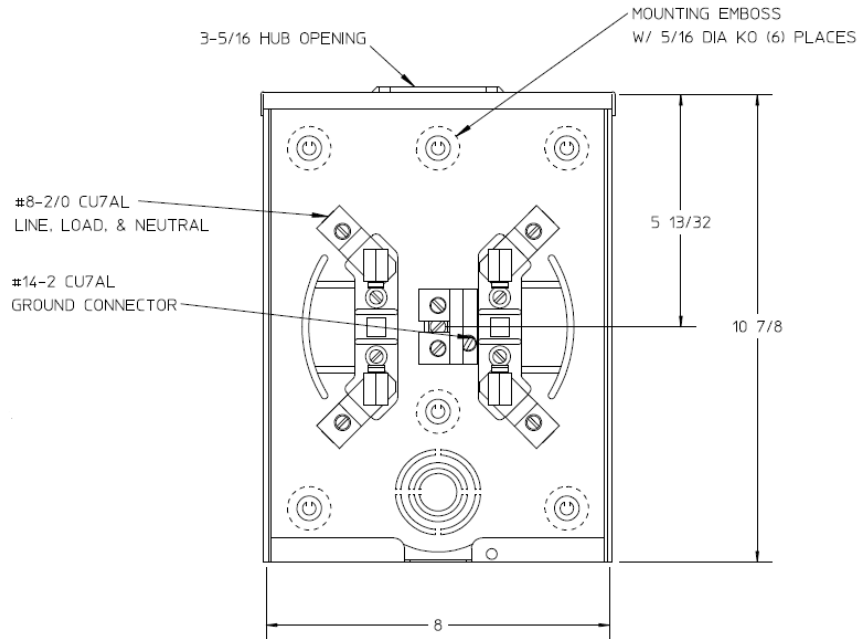


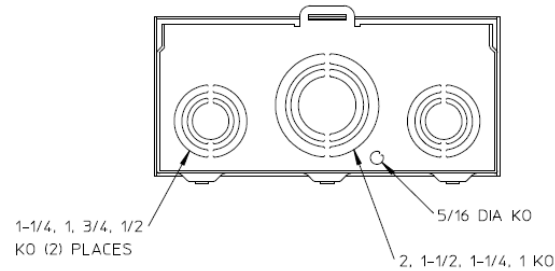
### Left Side View



### Front View Interior



### Bottom View



### Notes

- 1) FINISH: GRAY
- 2) CABINET: 16 GA GALV. STEEL  
125 AMP CONTINUOUS  
600VAC, 1 PHASE, 3-WIRE
- 4) TEMPORARY CARDBOARD  
METER OPENING COVER PROVIDED
- 5) GE LABEL ATTACHED TO THE  
END OF THE CARTON
- 6) GE LOGO LOCATED IN THE  
LOWER LEFT-HAND CORNER OF THE FRONT
- 7) CENTRAL MAINE POWER APPROVED

GE is a registered trademark used under license from General Electric company.



METER SOCKET- (1) 125A 600V 1P3W G90 N3R 4-TERM  
SMALL HUB OPNG TRIPLEX GRD TOP/BOT FEED

CAT NO	DWG DATE	REV #
UTRS101BGE	04/15/2016	02