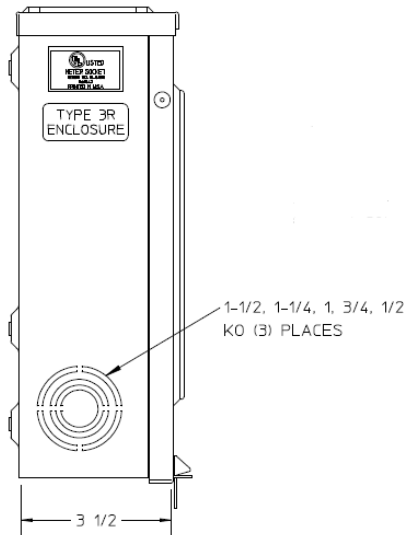
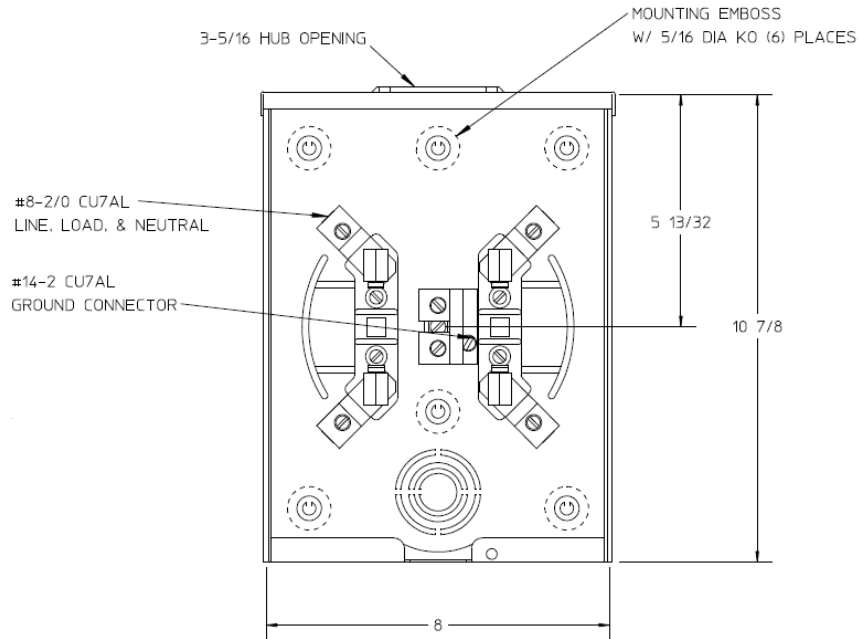


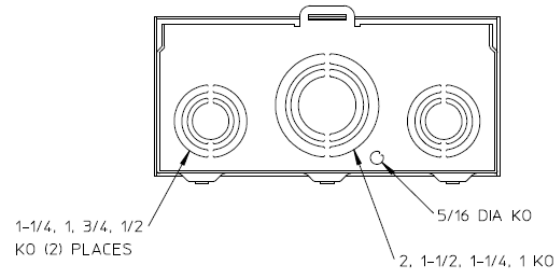
Left Side View



Front View Interior



Bottom View



Notes

- 1) FINISH: GRAY
- 2) CABINET: 16 GA GALV. STEEL
125 AMP CONTINUOUS
600VAC, 1 PHASE, 3-WIRE
- 4) TEMPORARY CARDBOARD
METER OPENING COVER PROVIDED
- 5) MIDWEST LABEL ATTACHED TO THE
END OF THE CARTON
- 6) MIDWEST LOGO LOCATED IN THE
LOWER LEFT-HAND CORNER OF THE FRONT
- 7) CENTRAL MAINE POWER APPROVED



METER SOCKET- (1) 125A 600V 1P3W G90 N3R 4-TERM
SMALL HUB OPNG TRIPLEX GRD TOP/BOT FEED

CAT NO	DWG DATE	REV #
UTRS101BMEP	04/15/2016	02