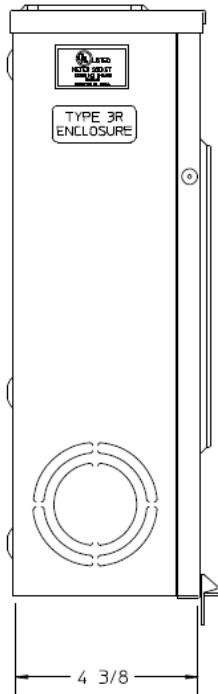
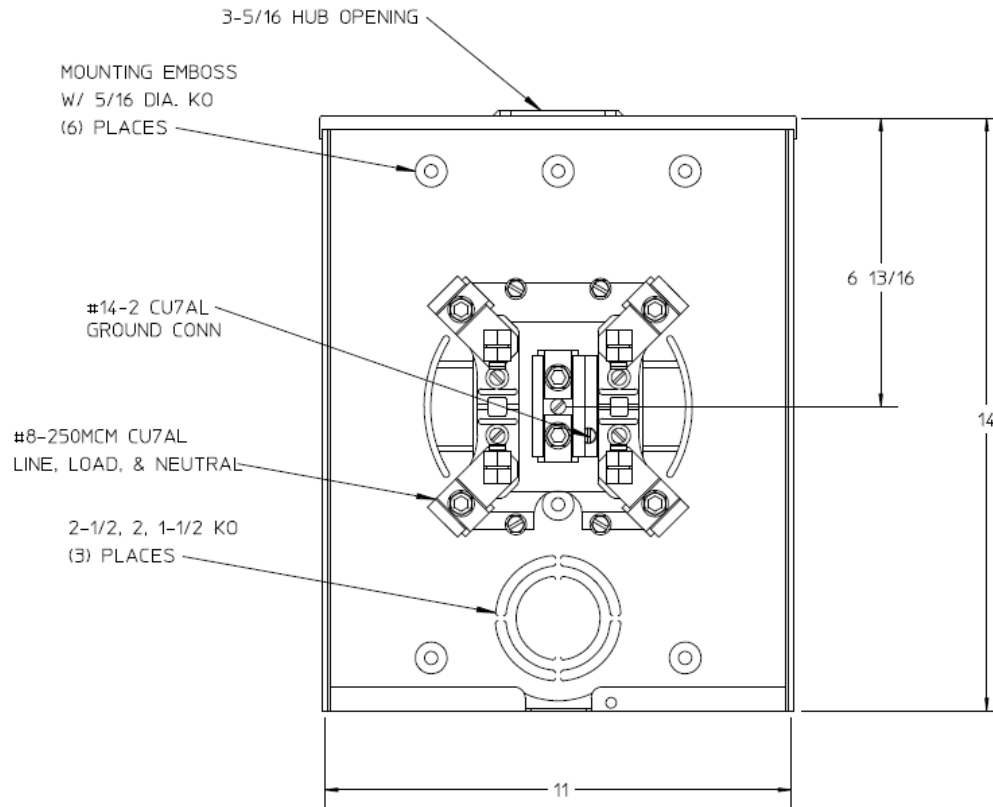


Left Side View



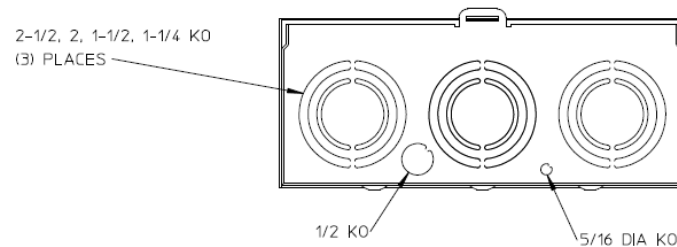
Front View Interior



Notes

- 1) FINISH: GRAY
- 2) CABINET: 16 GA GALV. STEEL
- 3) 200 AMP CONTINUOUS
600 V.A.C., 1 PHASE, 3 WIRE
- 4) MIDWEST LABEL ATTACHED TO THE END OF CARTON
- 5) TEMPORARY CARDBOARD METER OPENING COVER PROVIDED
- 6) MIDWEST LOGO STAMPED ON LOWER LEFT-HAND CORNER OF FRONT

Bottom View



METER SOCKET-(1) 200A 600V 1P3W G90 N3R 4-TERM SMALL HUB OPNG TRIPLEX GRD TOP/BOT FEED

CAT NO	DWG DATE	REV #
UTRS212BMEP	04/15/2016	02