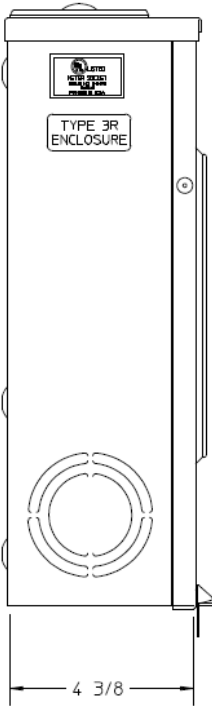
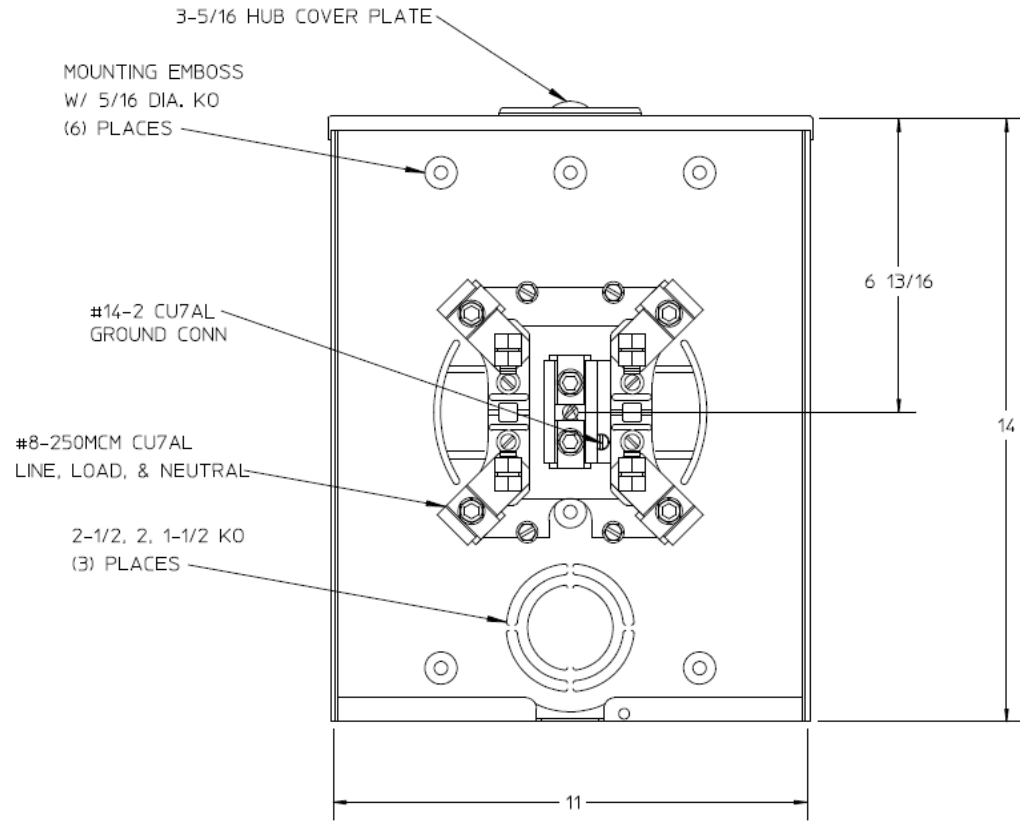


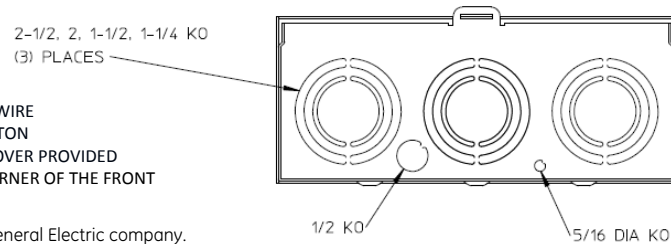
Left Side View



Front View Interior



Bottom View



Notes

- 1) FINISH: GRAY
- 2) CABINET: 16 GA GALV STEEL
- 3) 200 AMP CONTINUOUS, 600 VAC, 1 PHASE, 3 WIRE
- 4) GE LABEL ATTACHED TO THE END OF THE CARTON
- 5) TEMPORARY CARDBOARD METER OPENING COVER PROVIDED
- 6) GE LOGO STAMPED ON LOWER LEFT HAND CORNER OF THE FRONT

GE is a registered trademark used under license from General Electric company.



METER SOCKET-(1) 200A 600V 1P3W G90 N3R 4-TERM SMALL HUB COVER PLATE TRIPLEX GRD TOP/BOT FEED

CAT NO	DWG DATE	REV #
UTRS212CGE	04/15/2016	02