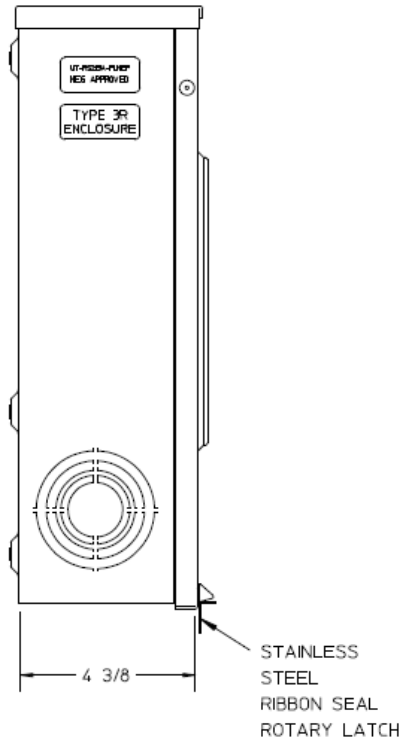
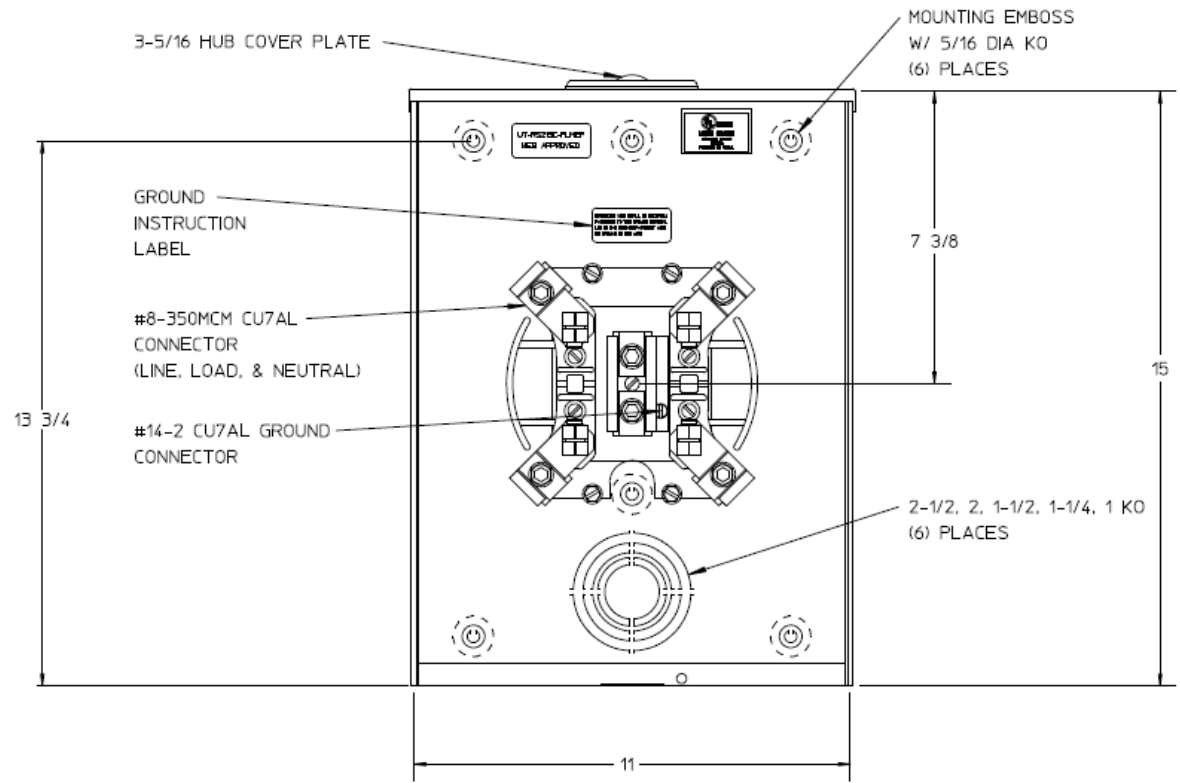


### Left Side View



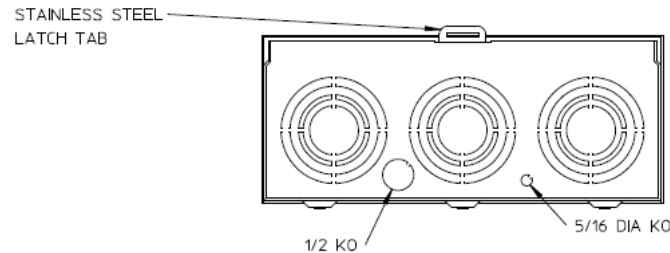
### Front View Interior



### Notes

- 1) FINISH: GRAY
- 2) CABINET: 16 GA GALV STEEL
- 3) 200 AMP CONTINUOUS  
600 V.A.C., 1 PHASE, 3 WIRE
- 4) MIDWEST LABEL ATTACHED  
TO THE END OF CARTON
- 5) TEMPORARY CARDBOARD METER  
OPENING COVER PROVIDED
- 6) MIDWEST LOGO STAMPED ON LOWER  
LEFT-HAND CORNER OF FRONT

### Bottom View



METER SKT-(1) 200A 600V 1P3W G90 N3R 4-TERM SMALL HUB  
COVER PLT TOP/BOTTOM FEED TPLX GROUND MEG APPROVED

CAT NO	DWG DATE	REV #
UTRS213CFLMEP	06/17/2016	01