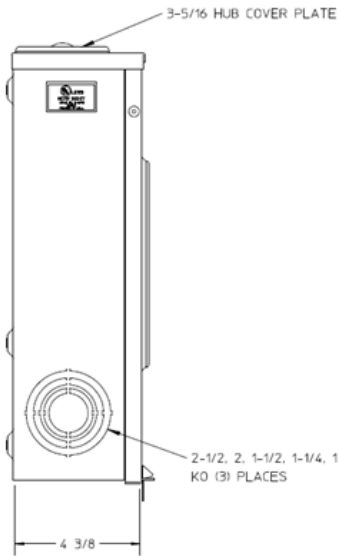
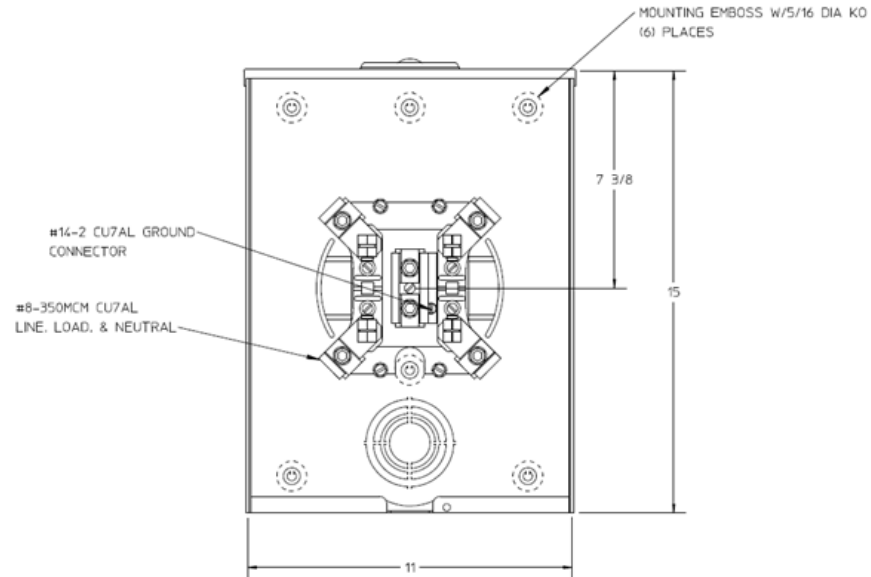


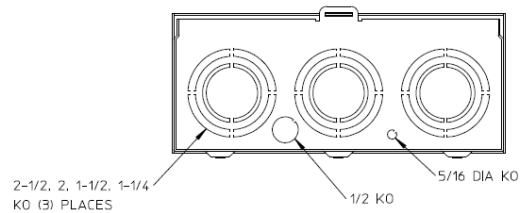
### Left Side View



### Front View Interior



### Bottom View



### Notes

- 1) FINISH: GRAY
- 2) CABINET: 16 GA GALV. STEEL
- 3) 200 AMP CONTINUOUS 600VAC, 1 PHASE, 3-WIRE
- 4) TEMPORARY CARDBOARD METER OPENING COVER PROVIDED
- 5) GE LABEL ATTACHED TO THE END OF THE CARTON
- 6) GE LOGO LOCATED IN THE LOWER LEFT-HAND CORNER OF THE FRONT
- 7) CENTRAL MAINE POWER APPROVED



METER SOCKET-(1) 200A 600V 1P3W G90 N3R 4-TERM SMALL HUB COVER PLT TRIPLEX GROUND TOP/BOT FEED

CAT NO	DWG DATE	REV #
UTRS213CGE	04/15/2016	02