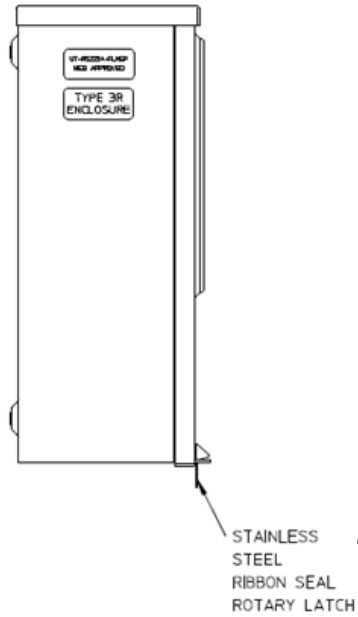
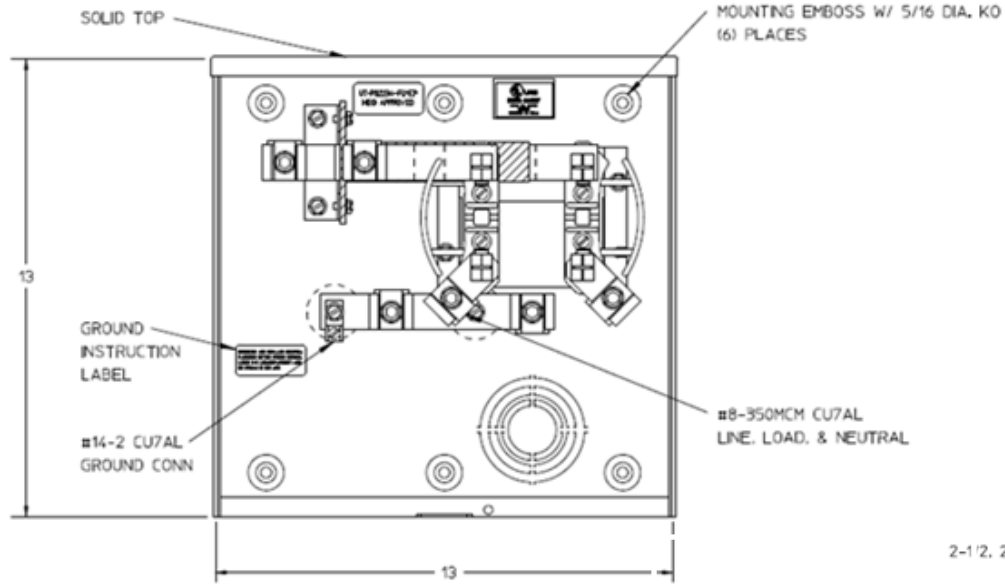


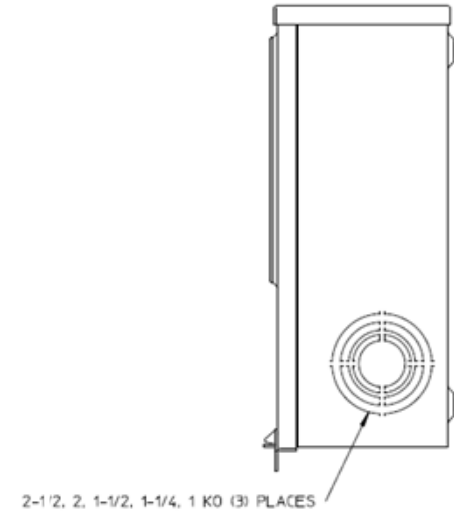
Left Side View



Front View Interior



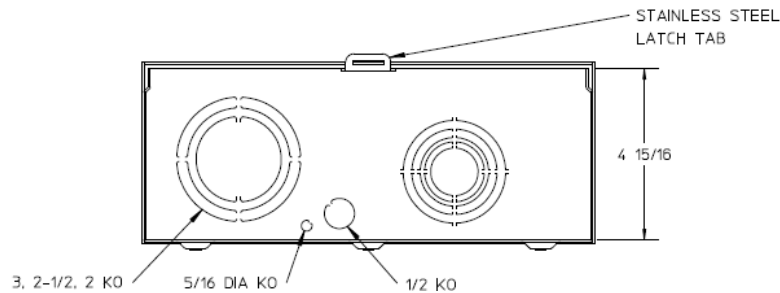
Right Side View



Notes

- 1) FINISH: GRAY
- 2) CABINET: 16 GA GALV STEEL
- 3) 200 AMP CONTINUOUS, 600 VAC, 1 PHASE, 3-WIRE
- 4) MIDWEST LABEL ATTACHED TO THE END OF THE CARTON.
- 5) TEMPORARY CARDBOARD METER OPENING COVER PROVIDED
- 6) MIDWEST LOGO LOCATED IN THE LOWER LEFT-HAND CORNER OF THE FRONT

Bottom View



METER SOCKET-(1) 200A 600V 1P3W G90 N3R 4-TERMINAL SOLID TOP TPLX GROUND BOTTOM FEED MEG APPROVED

CAT NO	DWG DATE	REV #
UTRS223AFLMEP	06/20/2016	01