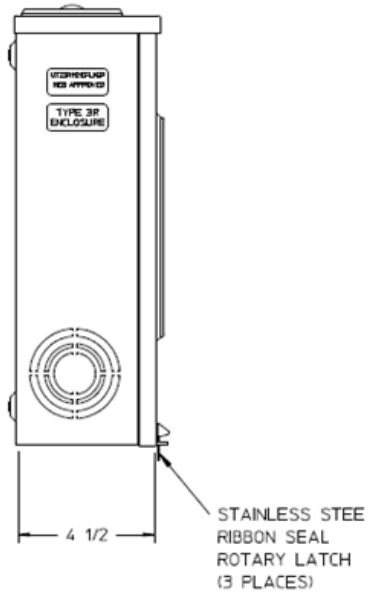
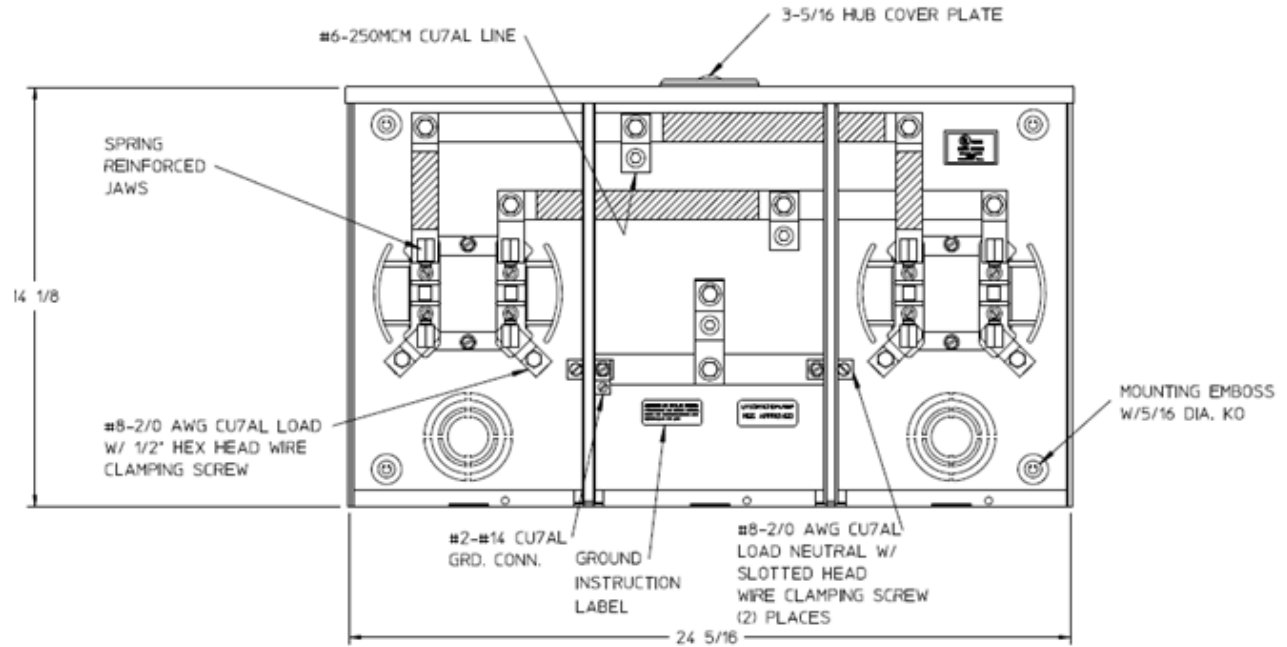


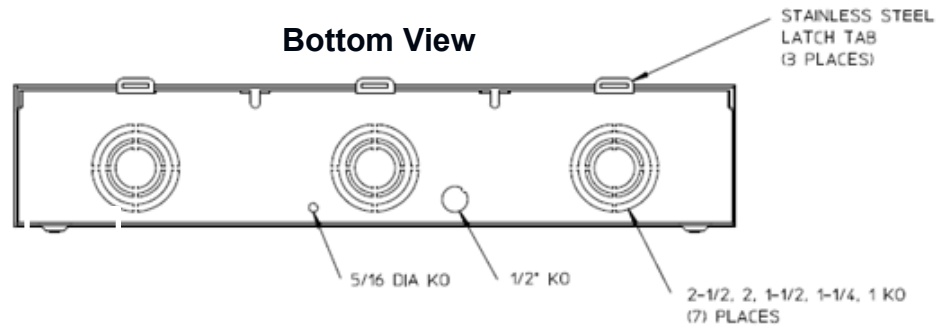
Left Side View



Front View Interior



Bottom View



Notes

- 1) FINISH: GRAY
- 2) CABINET: 16 GA GALV. STEEL
- 3) 100 AMP CONTINUOUS PER POSITION
600 VAC, 1 PHASE, 3-WIRE
200 AMP CONTINUOUS (TOTAL) UNIT RATING
- 4) TEMPORARY CARDBOARD METER OPENING COVER PROVIDED
- 5) MIDWEST LABEL ATTACHED TO THE END OF THE CARTON
- 6) MIDWEST LOGO STAMPED ON LOWER LEFT HAND CORNER OF FRONTS.



HORIZ GANGED METER SKTS-(2) 100A 600V 1P3W G90 N3R 4-TERM SMALL HUB COVER PLT CENTER FEED MEG TPLX GRD

CAT NO	DWG DATE	REV #
UTZ2R1121CFLMEP	06/15/2016	01