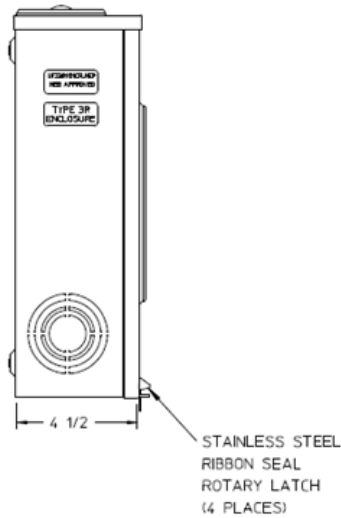
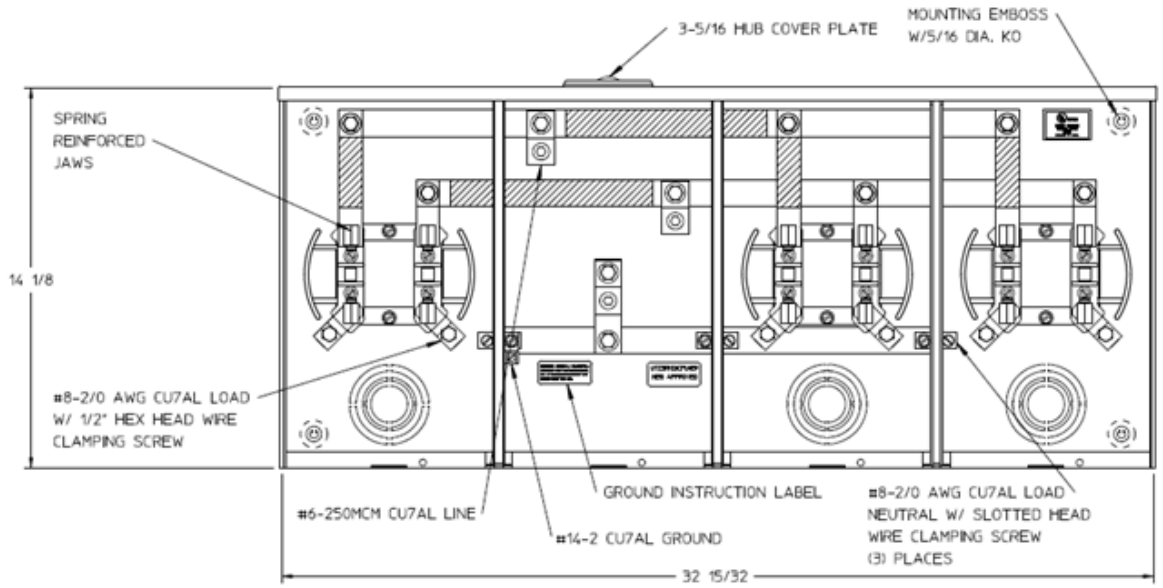


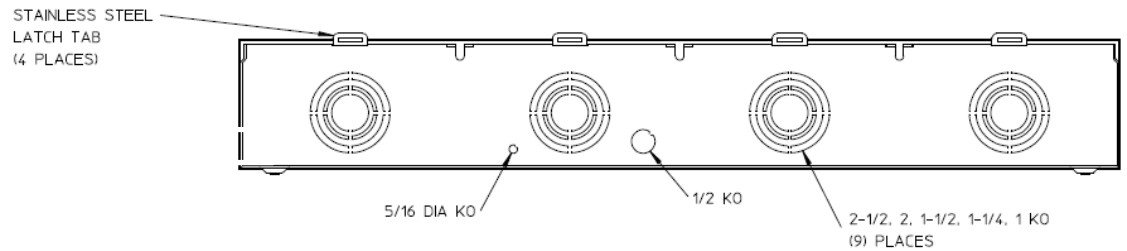
Left Side View



Front View Interior



Bottom View



Notes

- 1) FINISH: GRAY
- 2) CABINET: 16 GA GALV. STEEL
- 3) 100 AMP CONTINUOUS PER POSITION
600VAC, 1 PHASE, 3-WIRE
205 AMP CONTINUOUS (TOTAL) UNIT RATING
- 4) GE LABEL ATTACHED TO THE END OF THE CARTON
- 5) TEMPORARY CARDBOARD METER OPENING COVER PROVIDED
- 6) GE LOGO LOCATED IN THE LOWER LEFT-HAND CORNER OF THE FRONT



HORIZ GANGED METER SKTS-(3) 100A 600V 1P3W G90 N3R 4-TERM SMALL HUB COVER PLT CENTER FEED MEG TPLX GRD

CAT NO	DWG DATE	REV #
UTZ3R1121CFLGE	06/15/2016	01