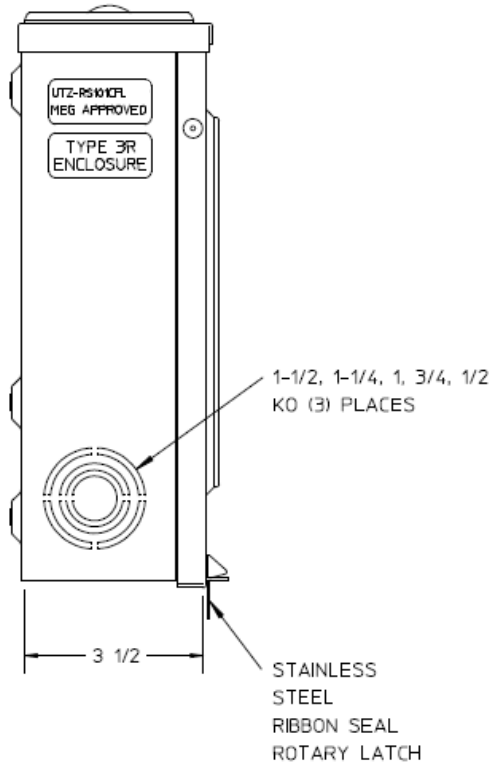
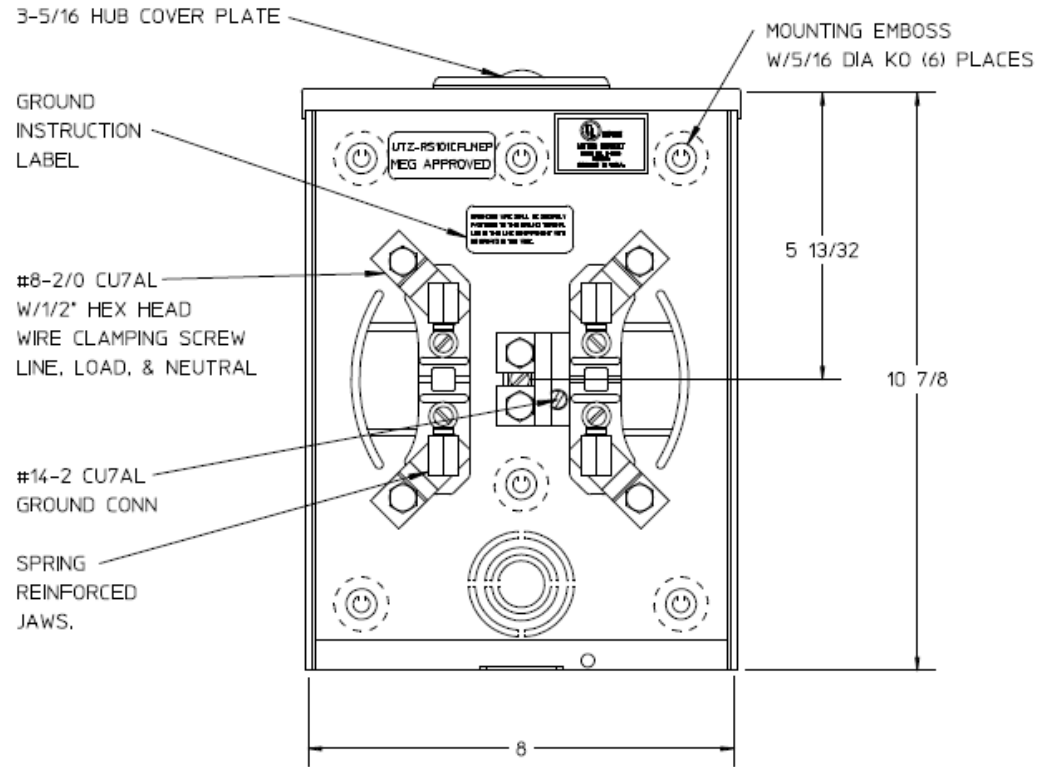


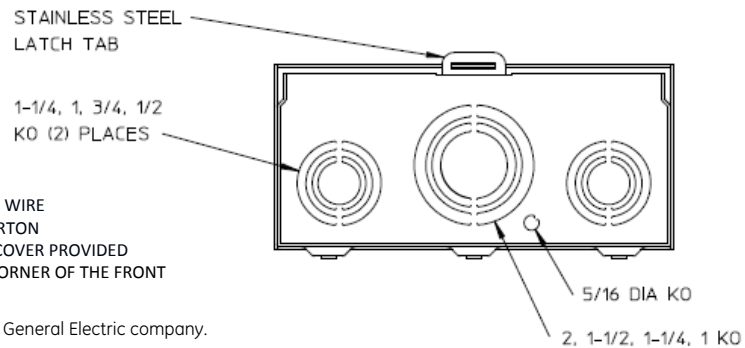
Left Side View



Front View Interior



Bottom View



Notes

- 1) FINISH: GRAY
- 2) CABINET: 16 GA GALV STEEL
- 3) 125 AMP CONTINUOUS, 600 VAC, 1 PHASE, 3 WIRE
- 4) GE LABEL ATTACHED TO THE END OF THE CARTON
- 5) TEMPORARY CARDBOARD METER OPENING COVER PROVIDED
- 6) GE LOGO STAMPED ON LOWER LEFT HAND CORNER OF THE FRONT



METER SKT-(1) 125A 600V 1P3W G90 N3R 4-TERM SMALL HUB
COVER PLATE TOP/BOT FEED TPLX GRD MEG APPROVED

CAT NO	DWG DATE	REV #
UTZRS101CFLGE	06/17/2016	01