

Top View

Configuration

Front View
Interior

Front View
Inside Cover

Front View
External # 1

Front View
External # 2

Side
View

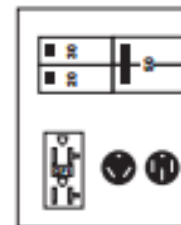
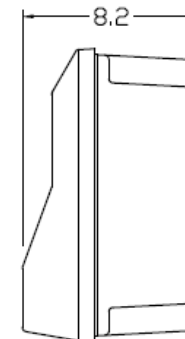
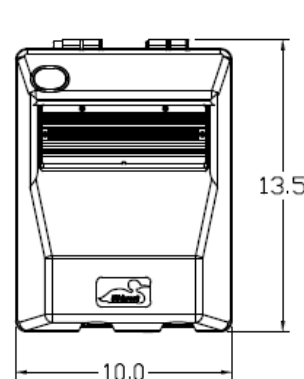
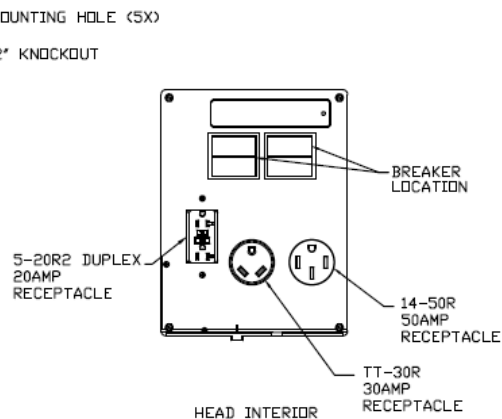
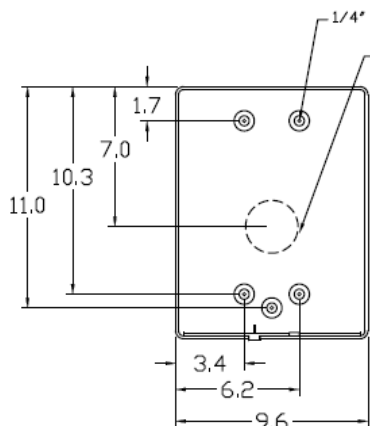


Fig. A
VKKJHAAT, VPKJHAAT,
VOKJHAAT
BR32U, BR54U, 5-20R2GFCI



NOTES:
ALL DIMENSIONS ARE IN INCHES

Wire Range Size

WIRE RANGE TABLE :

CONNECTOR	COPPER		ALUMINUM	
	SOLID	STRAND	SOLID	STRAND
LINE (LOAD CENTER)	---	14-1/0	---	14-1/0
NEUTRAL (LOAD CENTER)	14-8	14-1/0	12-10	12-1/0
EQUIP. GRND.	12-2	12-2	12-2	12-2

Receptacles

BR32U
BR54U
5-20R2GFCI

Circuit Protection

THQL2150
THQL1120, THQL1130

MIDWEST PARKMATE 100A HEAD ONLY 50/30/20 OUTLINE
DRAWING 120/240V

CAT NO	DWG DATE	REV #
VKKJHAAT	10/10/2017	01