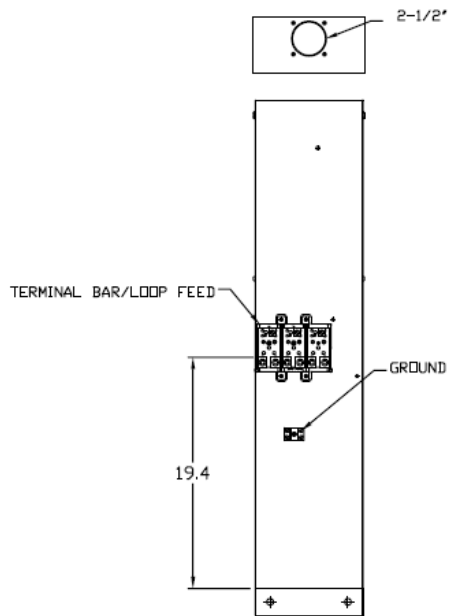
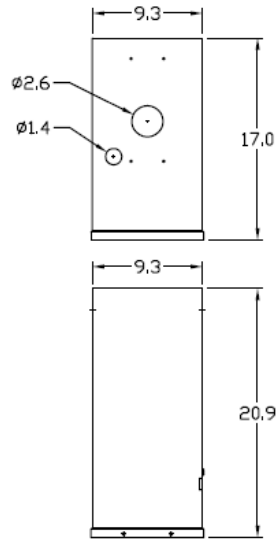


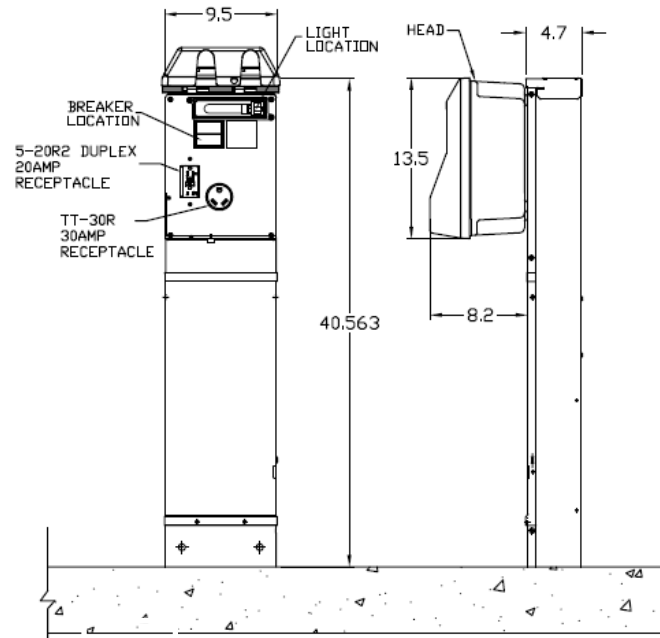
**Top View/
Front View
Interior**



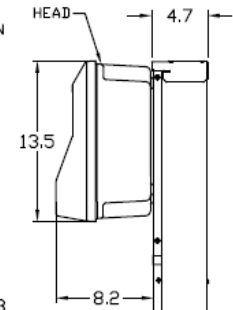
**Rear Mount
Locations**



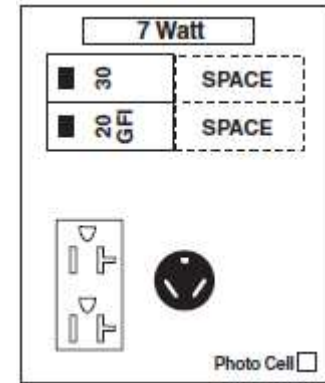
**Front View
External Covers**



**Right
Side View**



Configuration



Receptacles

BR32U
5-20R2

Circuit Protection

THQL1130
THQL1120
(2) Spaces THQL1120

Wire Range Size

CONNECTOR	COPPER		ALUMINUM	
	SOLID	STRAND	SOLID	STRAND
LINE (LOAD CENTER)	---	14-1/0	---	14-1/0
NEUTRAL (LOAD CENTER)	14-8	14-1/0	12-10	12-1/0
POST LINE CONNECTORS SUITABLE FOR LOOP FEED	#6-350 KCMIL		#6-350 KCMIL	
EQUIP. GRND.	12-2	12-2	12-2	12-2



PARKMATE PAD MOUNT 100A 30,20A RECPT THMPLST
7W LIGHT PHOTOCCELL UL LISTED 1PH 3W 120/240V 10K

CAT NO	DWG DATE	REV #
VMJZIAUT	03/22/2016	02