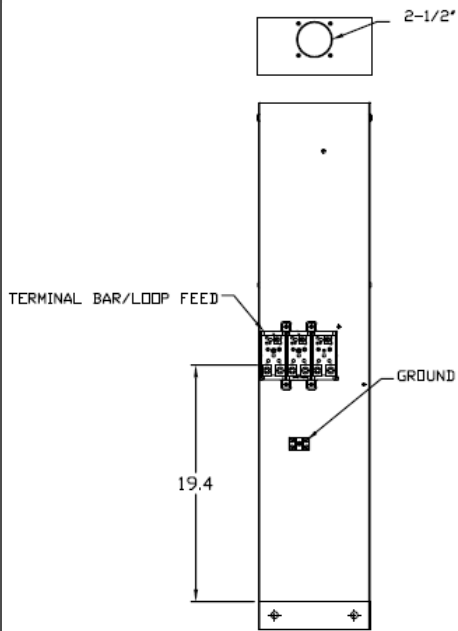
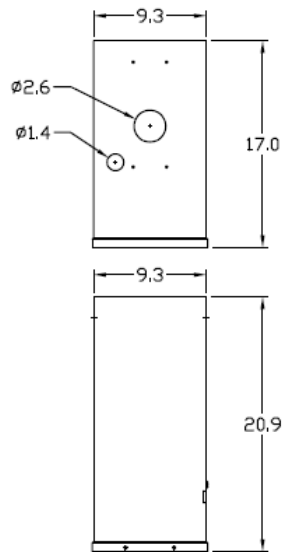


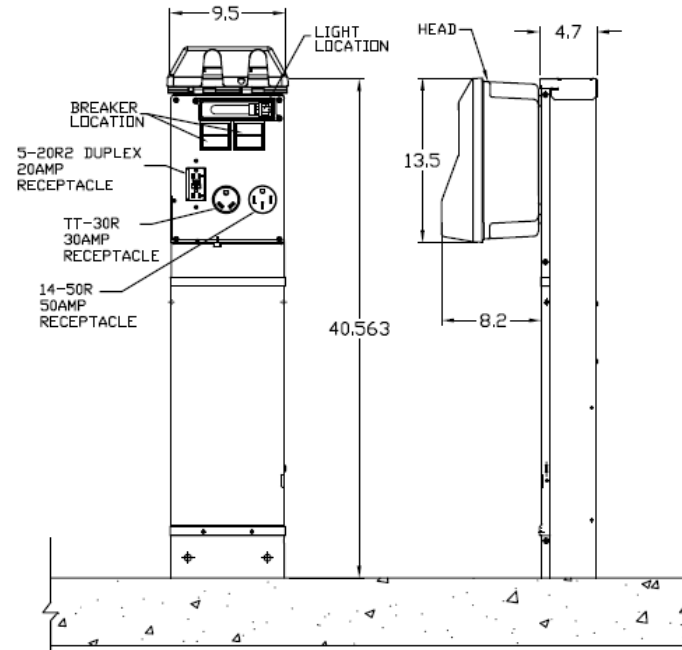
**Top View/  
Front View  
Interior**



**Rear Mount  
Locations**

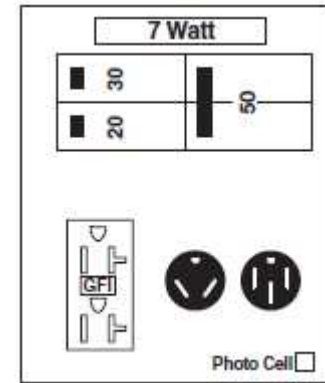


**Front View  
External Covers**



**Right  
Side View**

**Configuration**



**Receptacles**

BR54U
BR32U
5-20R2GFCI

**Circuit Protection**

THQL2150
THQL1130
THQL1120

**Wire Range Size**

CONNECTOR	COPPER		ALUMINUM	
	SOLID	STRAND	SOLID	STRAND
LINE (LOAD CENTER)	---	14-1/0	---	14-1/0
NEUTRAL (LOAD CENTER)	14-8	14-1/0	12-10	12-1/0
POST LINE CONNECTORS SUITABLE FOR LOOP FEED	#6-350 KCMIL		#6-350 KCMIL	
EQUIP. GRND.	12-2	12-2	12-2	12-2



MIDWEST PARKMATE STAINLESS STEEL POST, PAD MOUNT, 7 WATT LIGHT, PHOTOCCELL, 100A UL LISTED 120/240V

CAT NO	DWG DATE	REV #
VMKJHAUT	03/22/2016	02