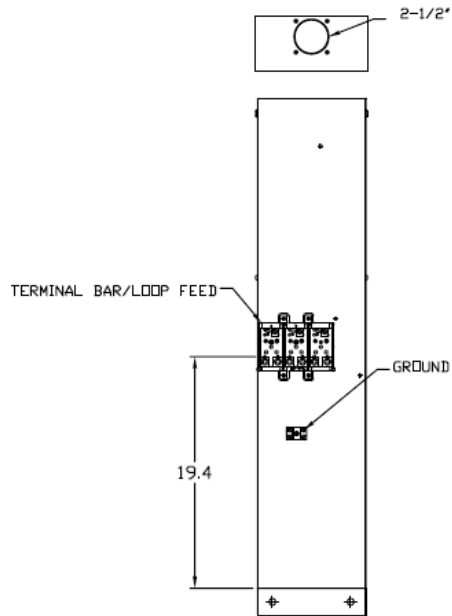
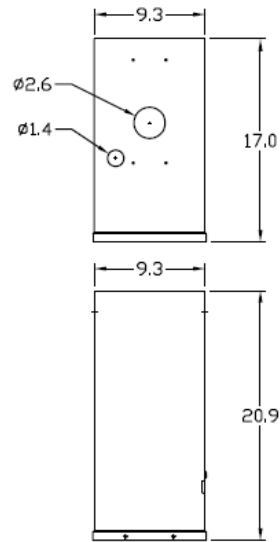


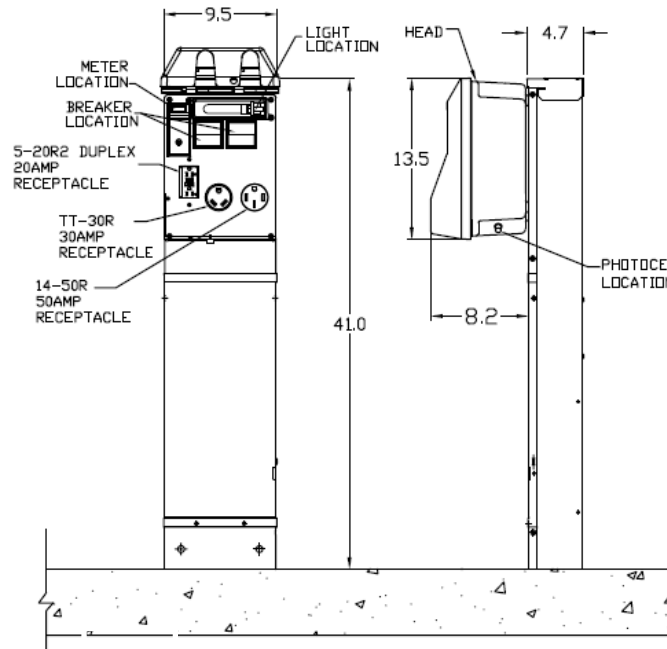
**Top View/
Front View
Interior**



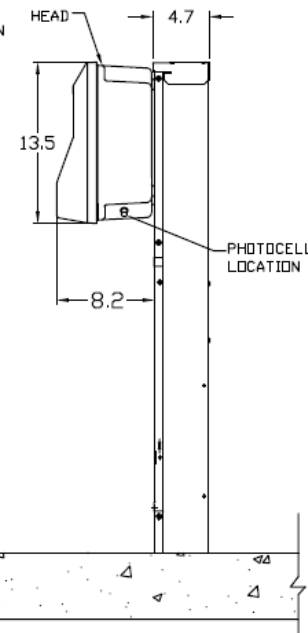
**Rear Mount
Locations**



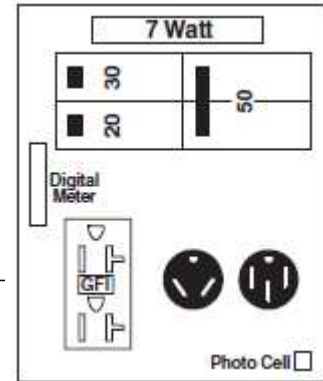
**Front View
External Covers**



**Right
Side View**



Configuration



Receptacles

- BR54U
- BR32U
- 5-20R2GFCI

Circuit Protection

- THQL2150
- THQL1130
- THQL1120

Wire Range Size

| CONNECTOR | COPPER | | ALUMINUM | |
|--|--------------|--------|--------------|--------|
| | SOLID | STRAND | SOLID | STRAND |
| LINE (LOAD CENTER) | --- | 14-1/0 | --- | 14-1/0 |
| NEUTRAL (LOAD CENTER) | 14-8 | 14-1/0 | 12-10 | 12-1/0 |
| POST LINE CONNECTORS SUITABLE FOR LOOP FEED | #6-350 KCMIL | | #6-350 KCMIL | |
| EQUIP. GRND. | 12-2 | 12-2 | 12-2 | 12-2 |



MIDWEST PARKMATE STAINLESS STEEL POST, PAD MOUNT, METERED, 7 WATT LIGHT, PHOTOCELL, 100A UL LISTED 120/240V

| CAT NO | DWG DATE | REV # |
|----------|------------|-------|
| VMKJHAWT | 03/22/2016 | 02 |