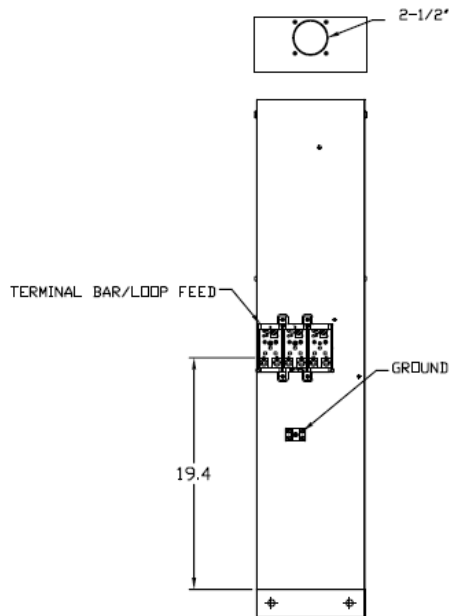
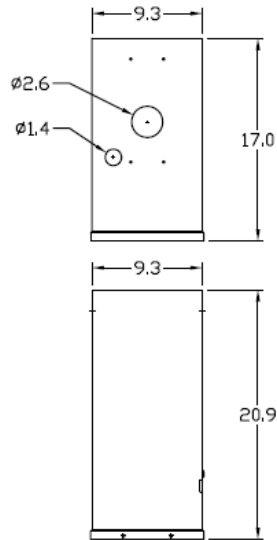


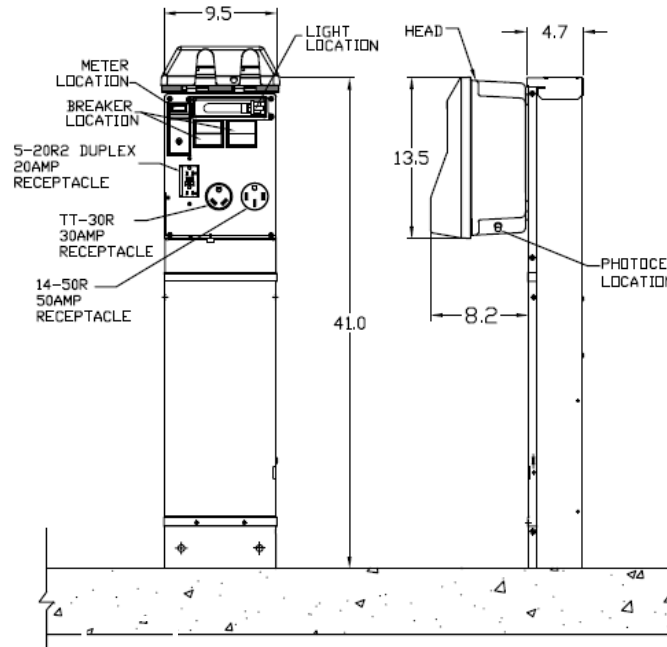
**Top View/
Front View
Interior**



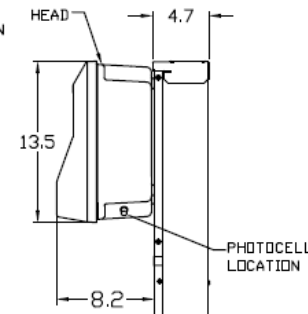
**Rear Mount
Locations**



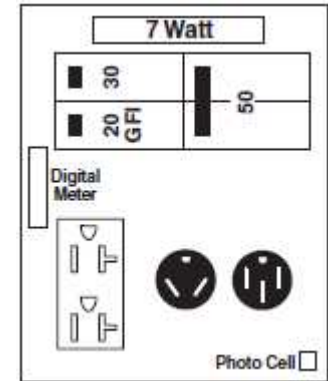
**Front View
External Covers**



**Right
Side View**



Configuration



Receptacles

- BR54U
- BR32U
- 5-20R2

Circuit Protection

- THQL2150
- THQL1130
- THQL1120GFT

Wire Range Size

CONNECTOR	COPPER		ALUMINUM	
	SOLID	STRAND	SOLID	STRAND
LINE (LOAD CENTER)	---	14-1/0	---	14-1/0
NEUTRAL (LOAD CENTER)	14-8	14-1/0	12-10	12-1/0
POST LINE CONNECTORS SUITABLE FOR LOOP FEED	#6-350 KCMIL		#6-350 KCMIL	
EQUIP. GRND.	12-2	12-2	12-2	12-2



MIDWEST PARKMATE STAINLESS STEEL POST, PAD MOUNT, METERED, 7 WATT LIGHT, PHOTOCELL, 100A UL LISTED 120/240V

CAT NO	DWG DATE	REV #
VMKJIAWT	03/22/2016	02