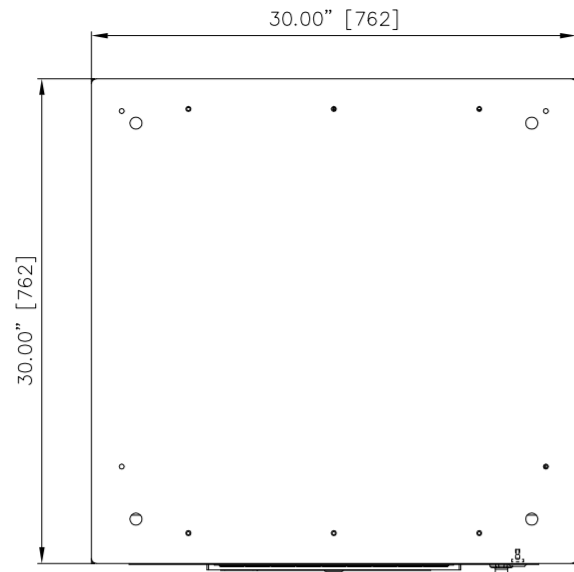
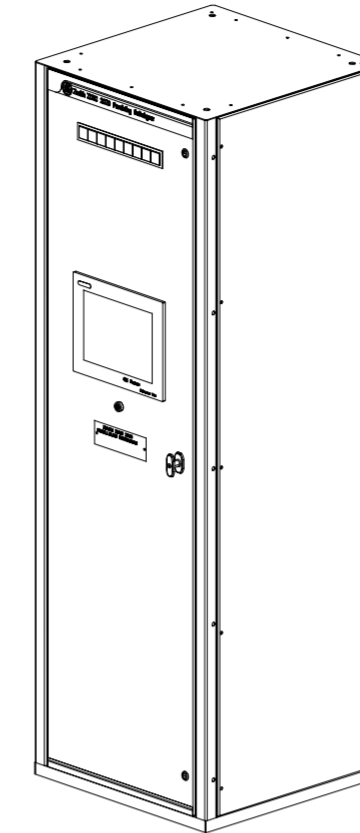


TYPICAL LAYOUT FOR UP TO 3 GENERATORS

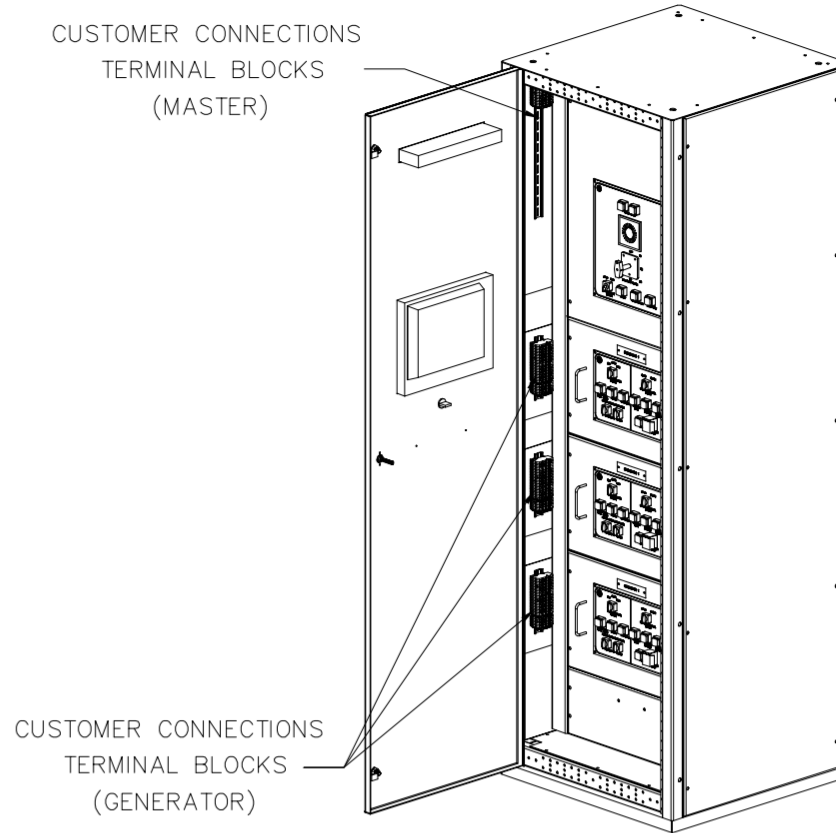
REVISIONS				
REV.	ECN	DESCRIPTION	DATE	APPROVED
0	-			



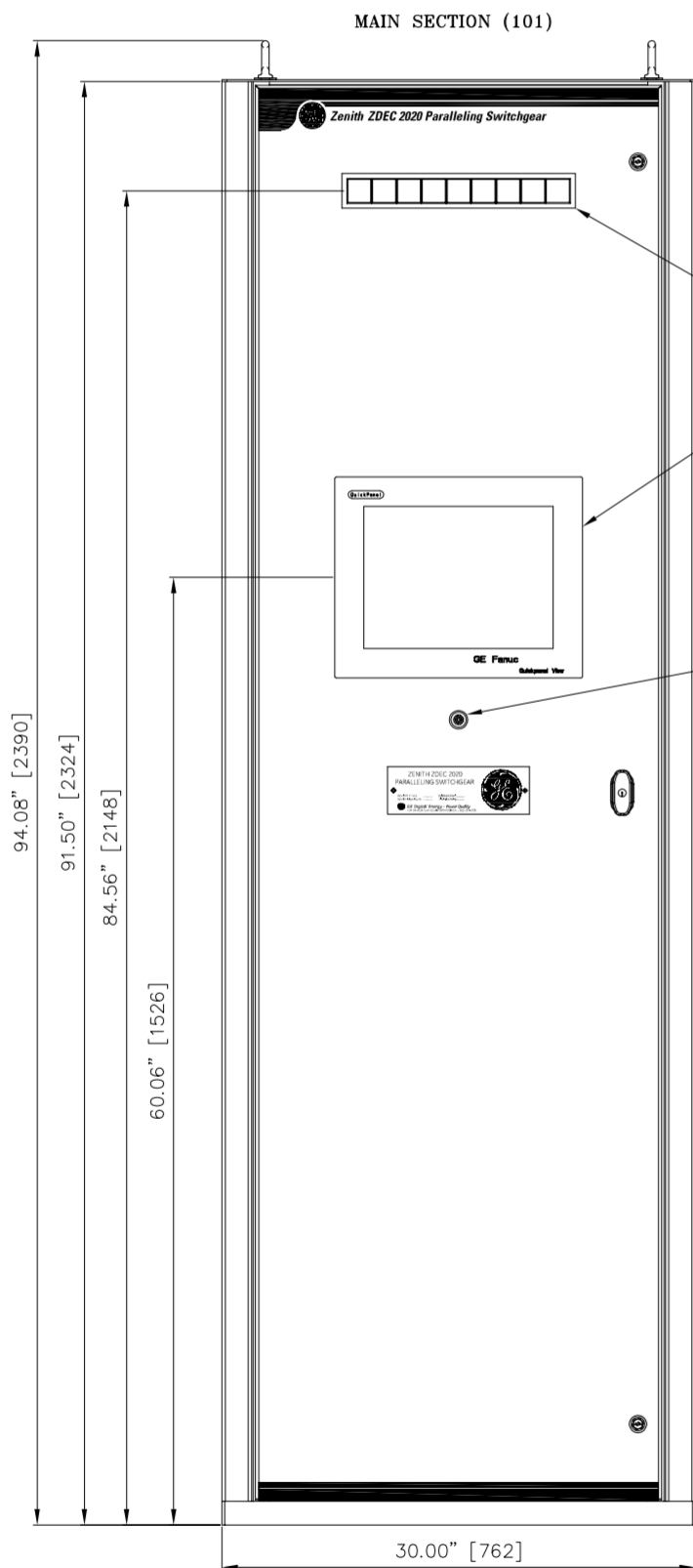
TOP VIEW



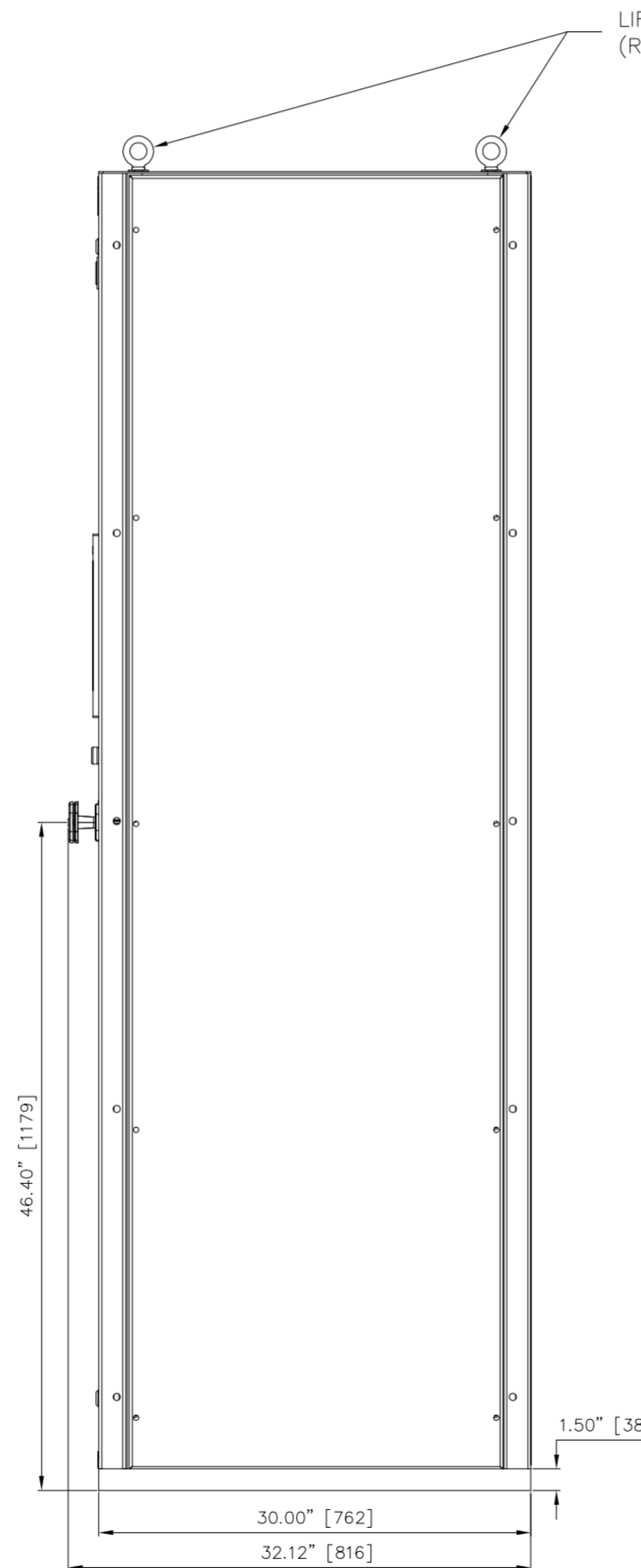
ISOMETRIC VIEW (DOOR CLOSED)



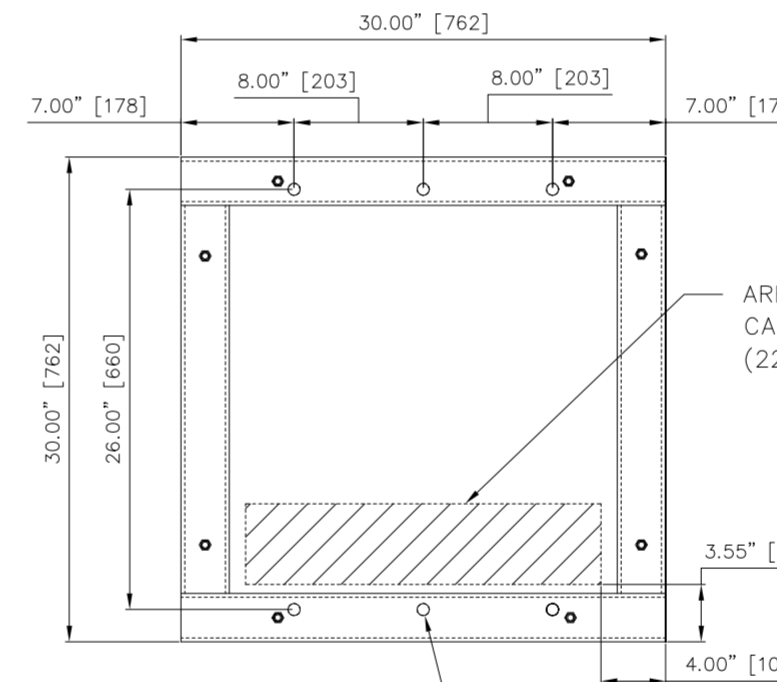
ISOMETRIC VIEW (DOOR OPEN)



FRONT VIEW (FRONT DOOR CLOSED)



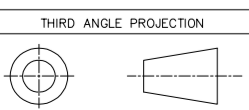
RIGHT SIDE VIEW (WITH SIDE COVER)



BASE DETAILS

- NOTE: -
- CONTROL CABINET SHALL BE MODULAR TYPE NEMA 1 CONSTRUCTION, #11 GA STRUCTURAL FRAMING, #12 GA DOORS, PAINTED RAL 9003
 - ID NAMEPLATES PROVIDED ON FRONT OF EACH CUBICLE AND EACH COMPARTMENTS
 - CONTROL GEAR WILL BE LABELLED UL891
 - CONTROL GEAR SHALL HAVE NO REAR ACCESS ONCE INSTALLED
 - TERMINATION OF CONTROL CABLES SHALL BE ON LEFT AND RIGHT SIDE (ACCESSIBLE FROM FRONT SIDE AS SHOWN IN ISO VIEW). CABLES CAN BE ROUTED EITHER FROM TOP OR BOTTOM OF THE GEAR
 - WEIGHT OF THE CABINET : NOT TO EXCEED 900 LBS [409 KG]
 - THE DIMENSIONS INSIDE THE BRACKETS [] IS METRIC UNITS (mm)

FOR ADDITIONAL INFO REFER TO	SIGNATURES	DATE	GE Digital Energy - Power Quality		
APPLIED PRACTICES	MODEL		TITLE: ZDEC 2020 PARALLELING SWITCHGEAR OUTLINE DRAWING - MAIN		
UNLESS OTHERWISE SPECIFIED DIMENSIONS ARE IN INCHES	DETAIL				
TOLERANCES ON:	CHECKED GA	07-22-2009	SIZE	CAGE CODE	DWG NO.
2 PL. DECIMALS ± .020	ENGRG GN	07-22-2009	B		ZDEC-LVOUT-M-B-1
3 PL. DECIMALS ± .005	MFG		SCALE:	NONE	SHEET 1 OF 2
ANGLES ± 1°	QUALITY				
FRACTIONS ± 1/64	ISSUED				
FINISH ✓	DRAWING FILE: ZDEC-LVOUT-M-B-1				
	MODEL / ASSEMBLY FILE:				
	# CTQs				
	CRITICAL TO QUALITY CHARACTERISTIC				

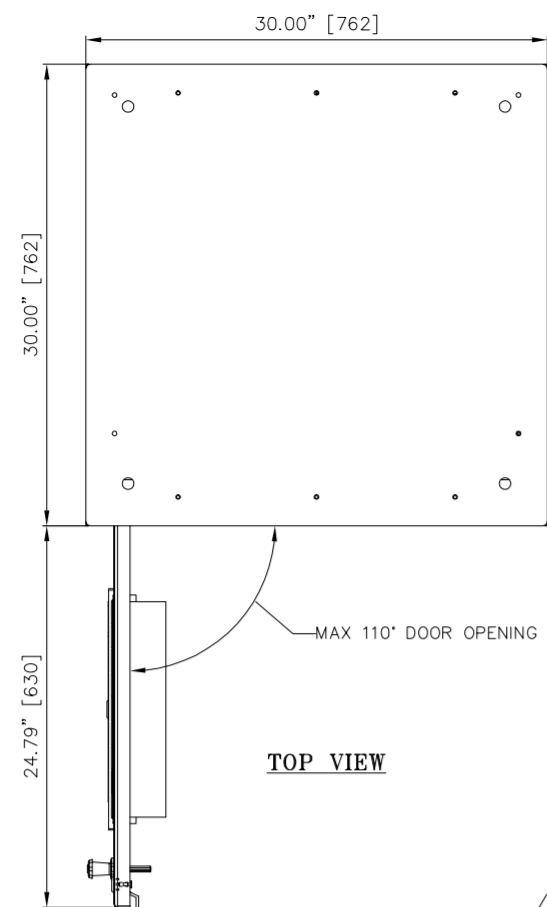


GE PROPRIETARY AND CONFIDENTIAL INFORMATION

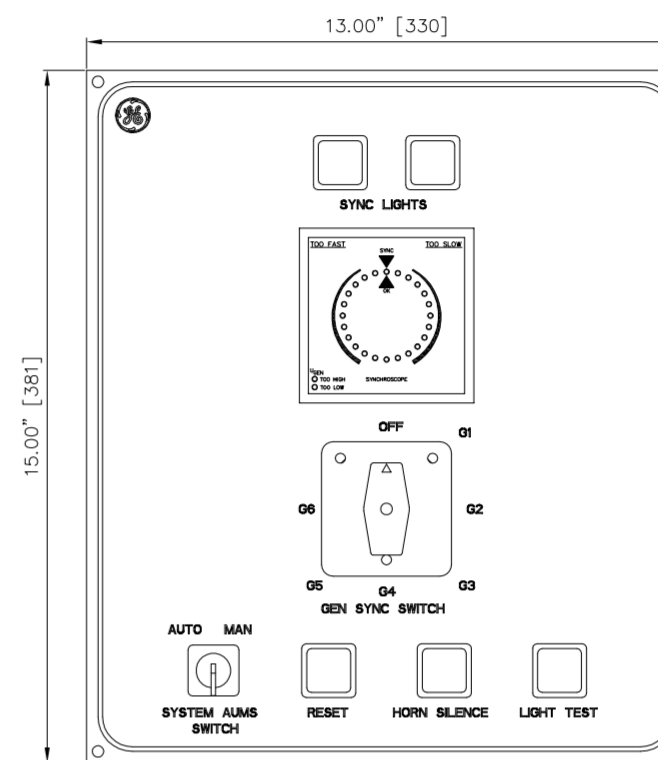
This document is the property of General Electric Company ("GE") and contains proprietary information of GE. This document is loaned on the express condition that neither it nor the information contained therein shall be disclosed to others without the express written consent of GE Industrial Systems, and that the information shall be used by the recipient only as approved expressly by GE Industrial Systems. This document shall be returned to GE upon its request. This document may be subject to certain restrictions under U.S. export control laws and regulations.

REVISIONS				
REV.	ECN	DESCRIPTION	DATE	APPROVED
0	-			

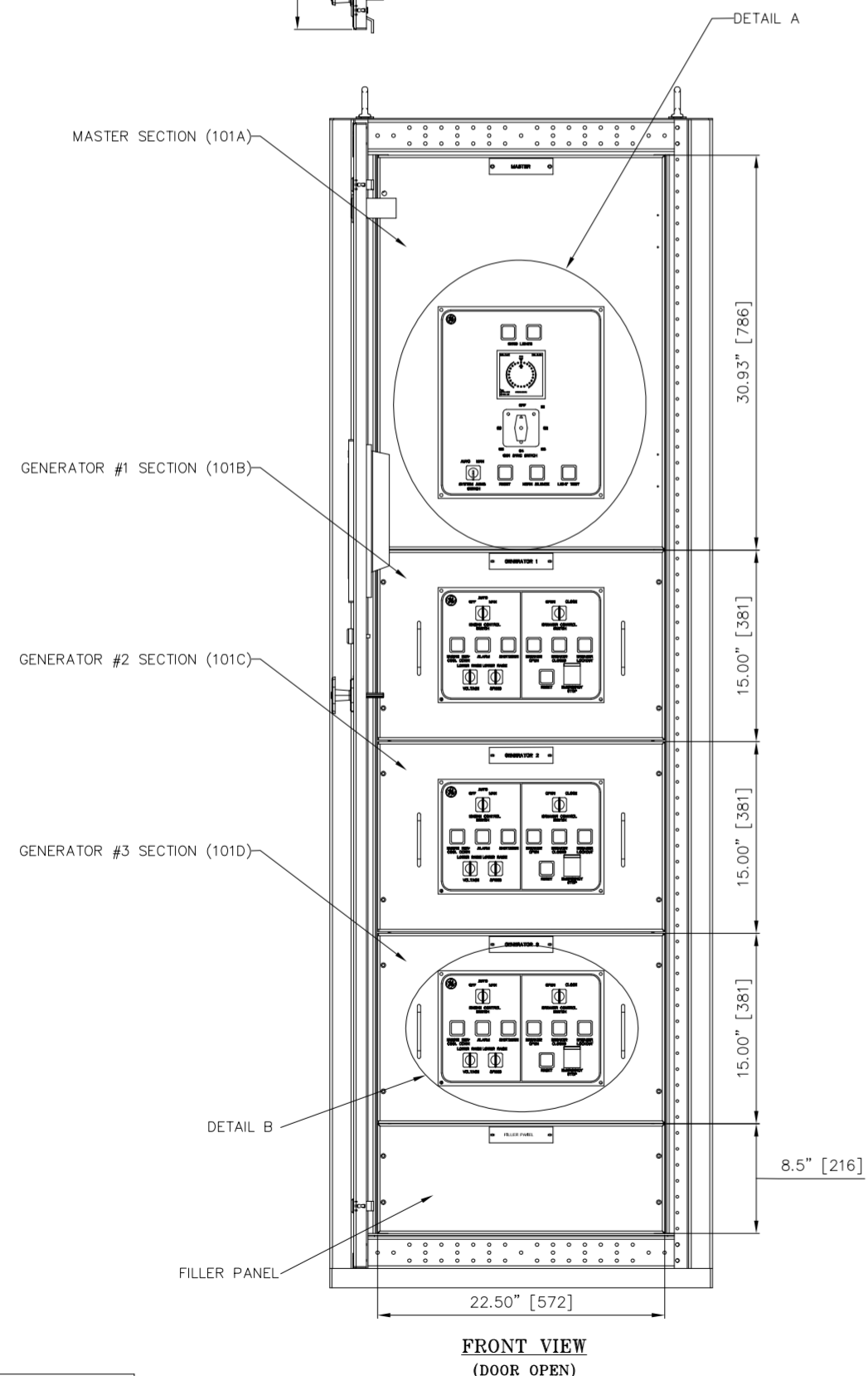
TYPICAL LAYOUT FOR UP TO 3 GENERATORS



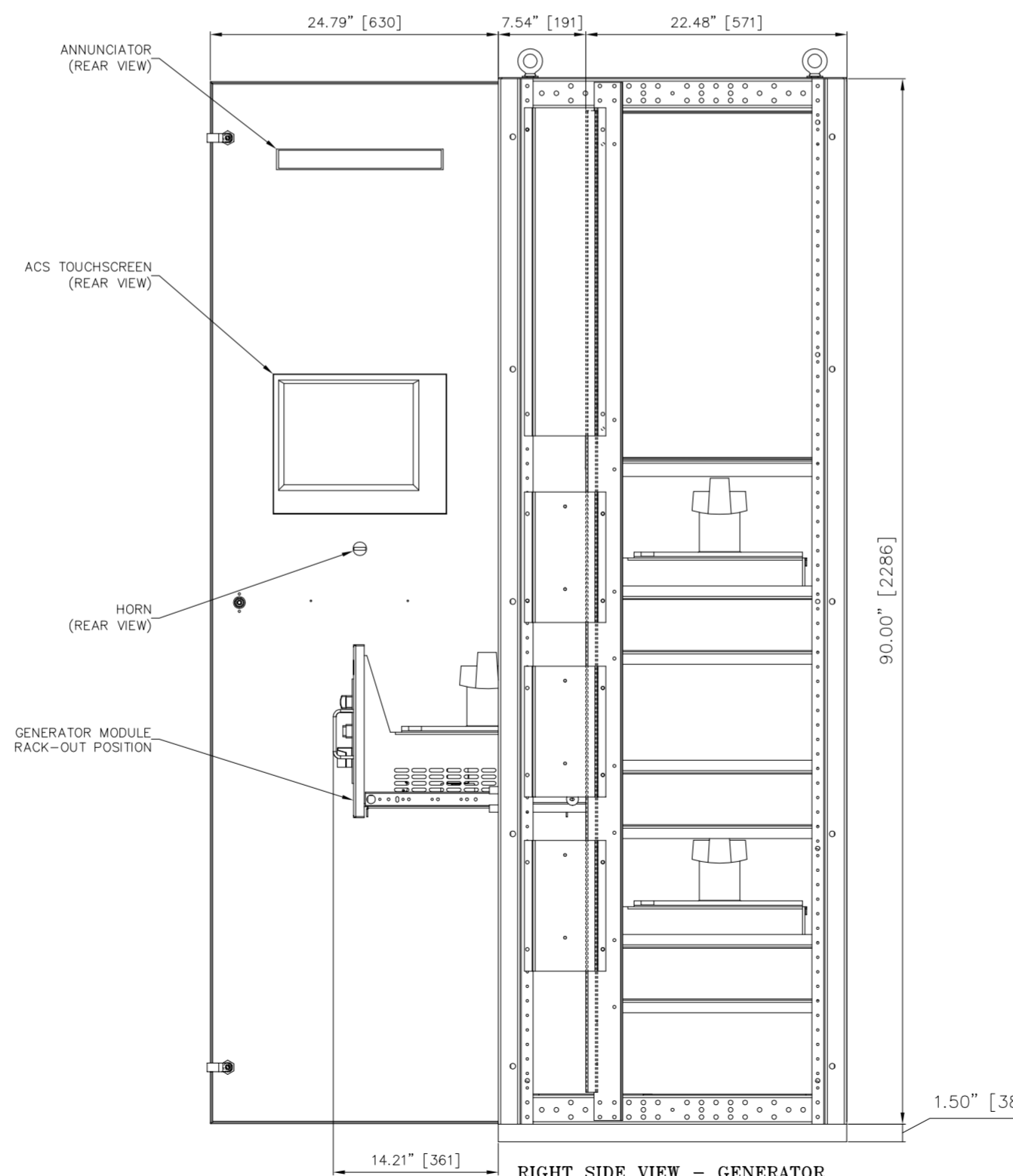
TOP VIEW



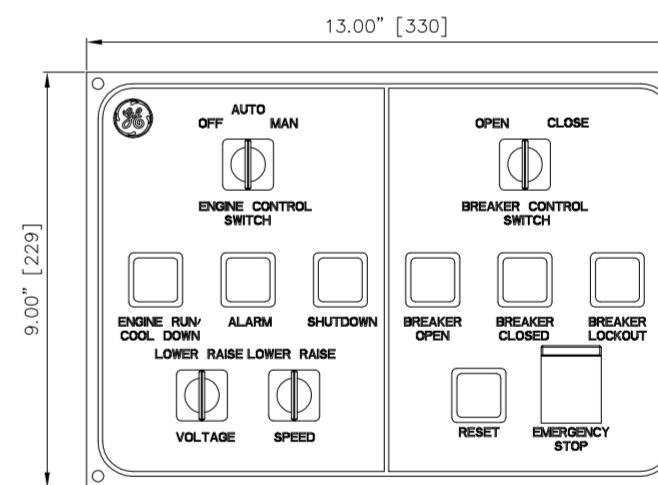
DETAIL A - MASTER CONTROL PANEL



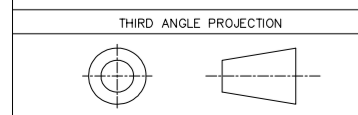
FRONT VIEW (DOOR OPEN)



RIGHT SIDE VIEW - GENERATOR COMPARTMENT DRAWN-OUT (SIDE COVER REMOVED AND FRONT DOOR OPEN)



DETAIL B - GENERATOR CONTROL PANEL (Typ.)



FOR ADDITIONAL INFO REFER TO	SIGNATURES	DATE	GE Digital Energy - Power Quality
APPLIED PRACTICES	MODEL		
UNLESS OTHERWISE SPECIFIED DIMENSIONS ARE IN INCHES	DETAIL		TITLE: ZDEC 2020 PARALLELING SWITCHGEAR OUTLINE DRAWING - MAIN FIRST MADE FOR:
TOLERANCES ON:	CHECKED GA	07-22-2009	
2 PL. DECIMALS ± .020	ENGRG GN	07-22-2009	
3 PL. DECIMALS ± .005	MFG		
ANGLES ± 1°	QUALITY		SIZE B
FRACTIONS ± 1/64	ISSUED		CAGE CODE
FINISH ✓	DRAWING FILE: ZDEC-LVOUT-M-B-2		DWG NO. ZDEC-LVOUT-M-B-2
	MODEL / ASSEMBLY FILE:		SCALE: NONE
	# CTQs		SHEET 2 OF 2
	CRITICAL TO QUALITY CHARACTERISTIC		

GE PROPRIETARY AND CONFIDENTIAL INFORMATION
 This document is the property of General Electric Company ("GE") and contains proprietary information of GE. This document is loaned on the express condition that neither it nor the information contained therein shall be disclosed to others without the express written consent of GE Industrial Systems, and that the information shall be used by the recipient only as approved expressly by GE Industrial Systems. This document shall be returned to GE upon its request. This document may be subject to certain restrictions under U.S. export control laws and regulations.

AutoCad Generated