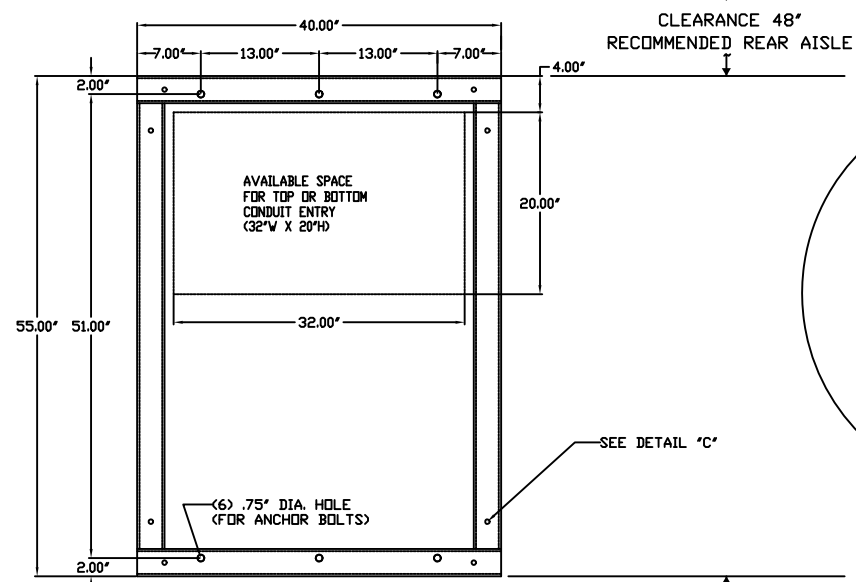
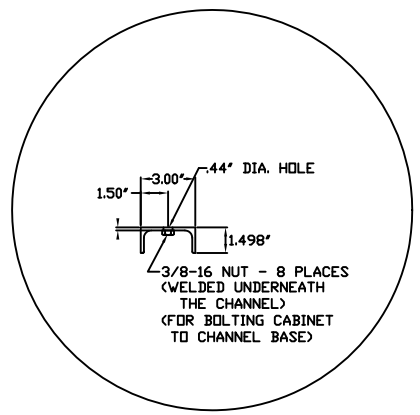


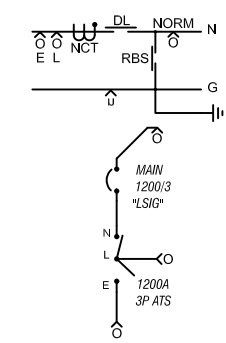
| REVISIONS | | | | |
|-----------|-----|-------------|------------|-----------|
| REV. | ECN | DESCRIPTION | DATE | APPROVED |
| B | - | MODIFIED | 03-11-2009 | T.G.A. KP |



BASE DETAIL



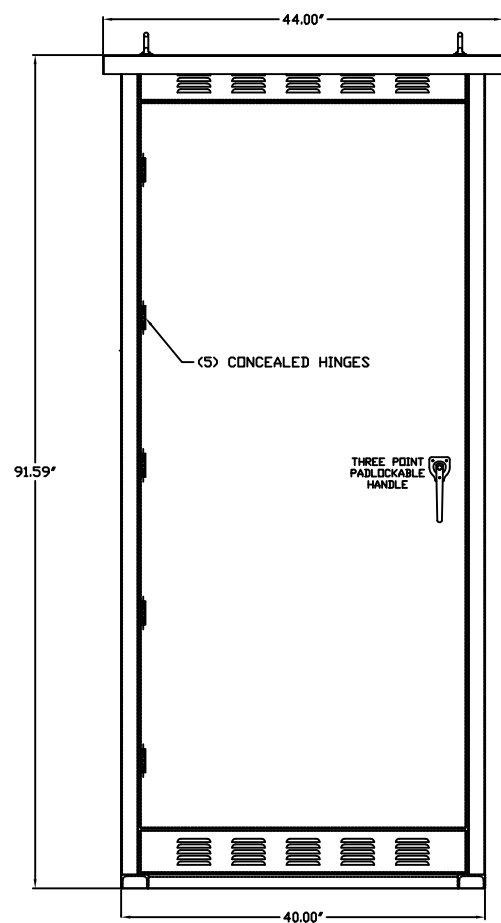
DETAIL 'C' CHANNEL BASE



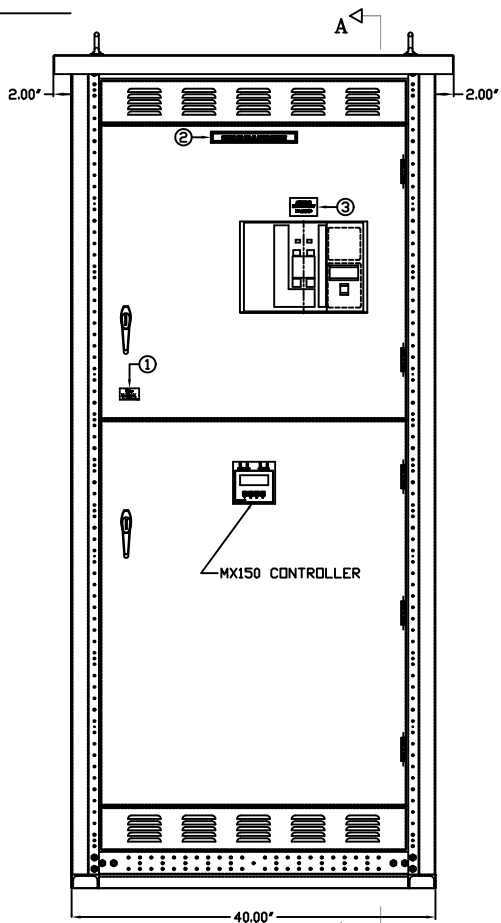
ONE LINE DIAGRAM (1200A)

SYMBOL LEGEND
 O & u = MECH. LUGS (SEE TABLE FOR DETAILS)
 NCT = NEUTRAL CURRENT SENSOR
 RBS = REMOVABLE GROUND STRAP
 DL = NEUTRAL DISCONNECT LINK

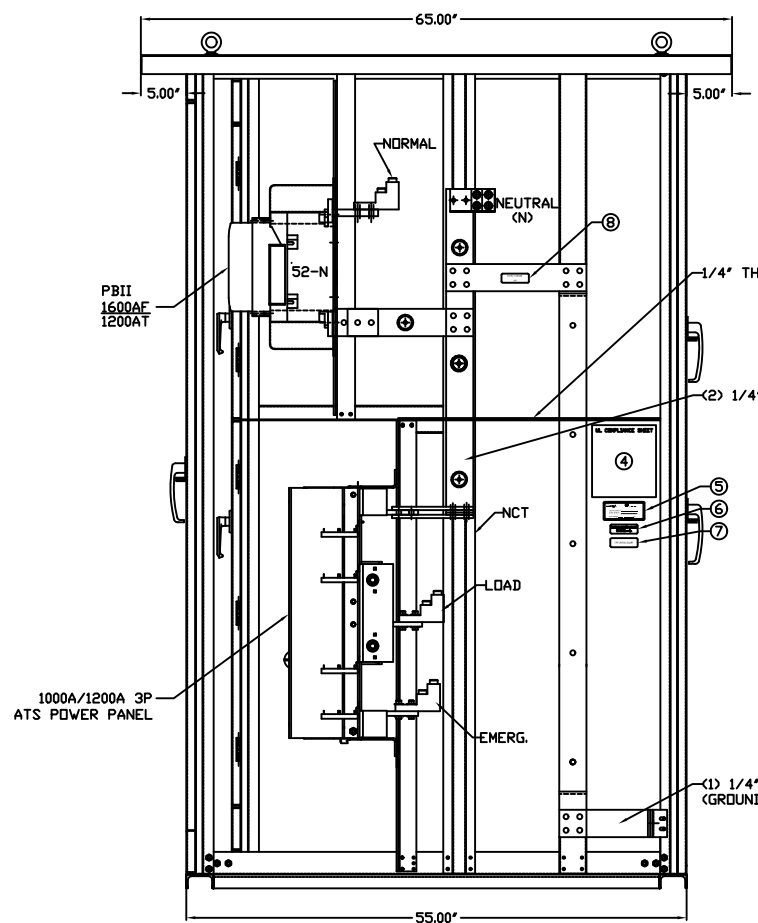
| NOTES: | | | |
|---|---|---------------|----------------------------------|
| SYSTEM RATING: 50KA | | | |
| ENCLOSURE: | NEMA 3R TYPE | LABELS | |
| INSTALLATION: | FLOOR MOUNTED | 1. Y320082 | UL891 (ON INNER SIDE OF DOOR) |
| FINISH: | ANSI 61 GRAY | 2. V-1811 | SUITABLE FOR AS SERVICE ENTRANCE |
| ACCESS: | REAR & SIDES | 3. YA32695 | SERVICE DISCONNECT |
| COMPONENTS RATING AND SPECIFICATIONS (ATS): | | 4. YA90026 | UL COMPLIANCE SHEET |
| SERVICE ENTRANCE: | 1000-1200A, 3 POLE UNIT, FULLY RATED | 5. YA31193 | SECTION AMPACITY |
| SHORT CIRCUIT WITHSTAND AND CLOSING RATING (CL): | 50KA @ 480V | 6. YA30600 | 500-1000 NCM TORQUE |
| CIRCUIT BREAKER: | | 7. YA30601 | NEMA 3R ENCLOSURE |
| GE PBII-ICCB, MICRO-VERSA TRIP PLUS, LSIG TRIP UNIT | | 8. YA30602 | NEUTRAL TO GROUND LINK |
| | | 9. YA31238 | HIGH VOLTAGE DANGER |
| MOUNT TYPE: | STATIONARY | | |
| SIZE: | 1600AF/1200AT-1000AT | | |
| SHORT CIRCUIT INTERRUPT RATING: | 65KAIC @ 480V | | |
| UL LABEL: | 891 | | |
| | *SUITABLE TO USE AS SERVICE ENTRANCE EQUIPMENT* | | |
| BUS: | | | |
| MATERIAL: | COPPER 1000A/IN (2-1/4" X 3" PHASE/NEUTRAL) | | |
| | (1-1/4" X 3" GROUND BUS) | | |
| FINISH: | SILVER PLATED | | |
| CABLE: | | | |
| 52-N | (4)-600Kcmil PER PHASE & NEUTRAL | | |
| LOAD | (4)-600Kcmil PER PHASE & NEUTRAL | | |
| EMERGENCY | (4)-600Kcmil PER PHASE & NEUTRAL | | |
| GROUND | (12)-1/0-250Kcmil | | |



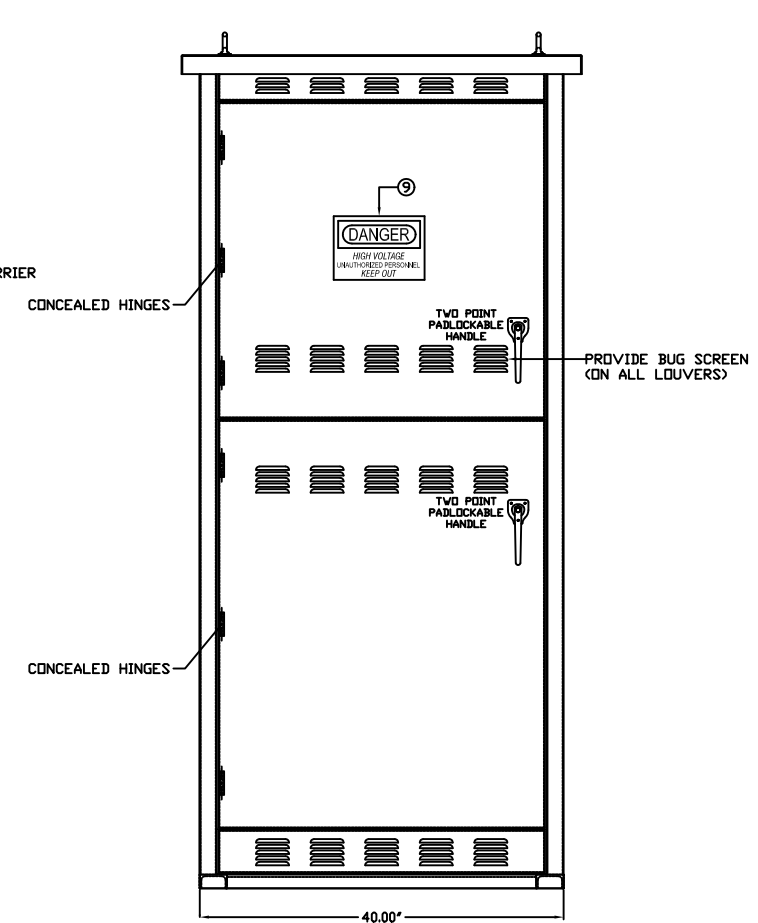
FRONT VIEW



FRONT VIEW SHOWN WITH OUTER DOOR REMOVED



SECTION "A - A"



REAR VIEW

**NEMA_3R_ENCLOSURE
3_POLES_ATS**

**NOT CERTIFIED
FOR CONSTRUCTION**

GE PROPRIETARY AND CONFIDENTIAL INFORMATION
 This document is the property of General Electric Company (GE) and contains proprietary information of GE. This document is loaned on the express condition that neither it nor the information contained therein shall be disclosed to others without the express written consent of GE Industrial Systems, and that the information shall be used by the recipient only as approved expressly by GE Industrial Systems. This document shall be returned to GE upon its request. This document may be subject to certain restrictions under U.S. export control laws and regulations.

| FOR ADDITIONAL INFO REFER TO | SIGNATURES | DATE |
|---|----------------------------------|------------|
| APPLIED PRACTICES | MODEL T.G.A. | 02-27-2008 |
| UNLESS OTHERWISE SPECIFIED DIMENSIONS ARE IN INCHES | DETAIL | |
| TOLERANCES ON: | CHECKED | |
| 2 PL. DECIMALS ± .020 | ENGRG T.G.A. | |
| 3 PL. DECIMALS ± .005 | MFG | |
| ANGLES ± 1° | QUALITY | |
| FRACTIONS ± 1/64 | ISSUED | |
| FINISH ✓ | DRAWING FILE: ZTGSE12(3P-N3R)-OU | |
| | MODEL / ASSEMBLY FILE: | |
| | # CTGS | |

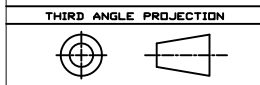
GE Zenith Controls

TITLE: 1000A/1200A SERVICE ENTRANCE (3P-N3R) OUTLINE DRAWING

FIRST MADE FOR: ZTGSE12(3P-N3R)

SIZE: N/A CAGE CODE: N/A DWG NO. ZTGSE12(3P-N3R)

SCALE: NONE SHEET 1 OF 1



AutoCad Generated