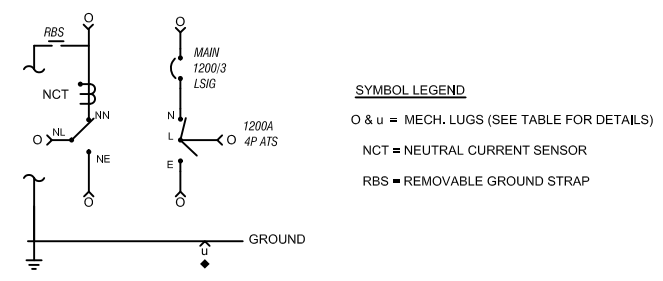
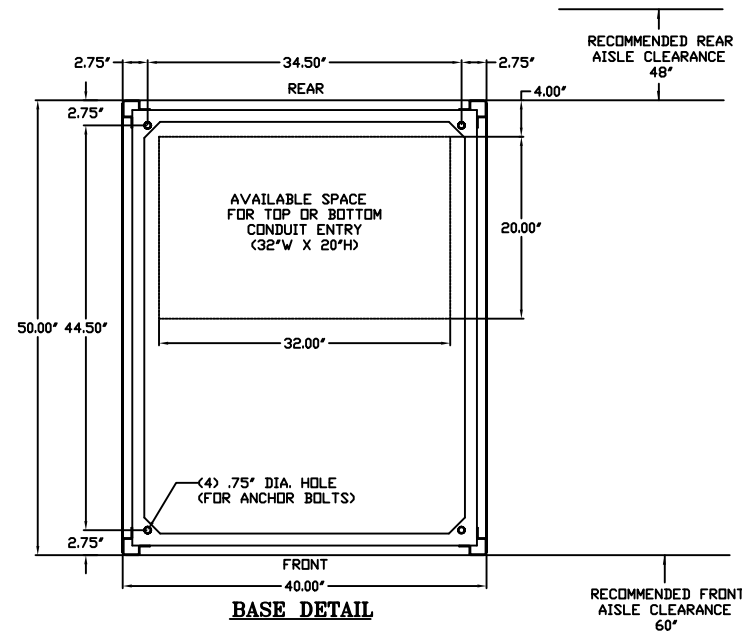


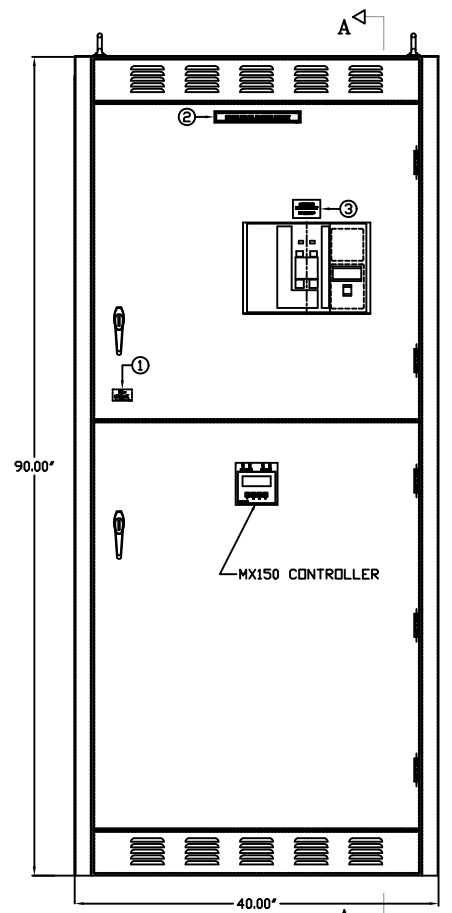
REVISIONS				
REV.	ECN	DESCRIPTION	DATE	APPROVED
B	-	MODIFIED	03-11-2009	T.G.A. KP

NOTES:		
SYSTEM RATING: 50KA		
ENCLOSURE:	NEMA 1 TYPE	LABELS
INSTALLATION:	FLOOR MOUNTED	1. Y320082 UL891 (ON INNER SIDE OF DOOR)
FINISH:	ANSI 61 GRAY	2. V-1811 SUITABLE FOR AS SERVICE ENTRANCE
ACCESS:	REAR & SIDES	3. YA32695 SERVICE DISCONNECT
COMPONENTS RATING AND SPECIFICATIONS (ATS):		4. YA9026 UL COMPLIANCE SHEET
SERVICE ENTRANCE:	1000-1200A, 4 POLE UNIT, FULLY RATED	5. YA31193 SECTION CAPACITY
SHORT CIRCUIT WITHSTAND AND CLOSING RATING (UL):	50kA @ 480V	6. YA30600 500-1000 MCM TORQUE
CIRCUIT BREAKER:		7. YA30601 NEMA 1 ENCLOSURE
GE PBII-ICCB, MICRO-VERSA TRIP PLUS, LSIG TRIP UNIT		8. YA30602 NEUTRAL TO GROUND LINK
		9. YA31236 HIGH VOLTAGE DANGER
MOUNT TYPE:	STATIONARY	
SIZE:	1600AF/1200AT-1000AT	
SHORT CIRCUIT INTERRUPT RATING:	65kAIC @ 480V	
UL LABEL:	891	
	SUITABLE TO USE AS SERVICE ENTRANCE EQUIPMENT	
BUS:		
MATERIAL:	COPPER 1000A/IN (2-1/4" X 3" PHASE/NEUTRAL)	
	(1-1/4" X 3" GROUND BUS)	
FINISH:	SILVER PLATED	
CABLE:		
52-N	(4)-600kcmil PER PHASE & NEUTRAL	
LOAD	(4)-600kcmil PER PHASE & NEUTRAL	
EMERGENCY	(4)-600kcmil PER PHASE & NEUTRAL	
GROUND	(12)-1/0-250kcmil	

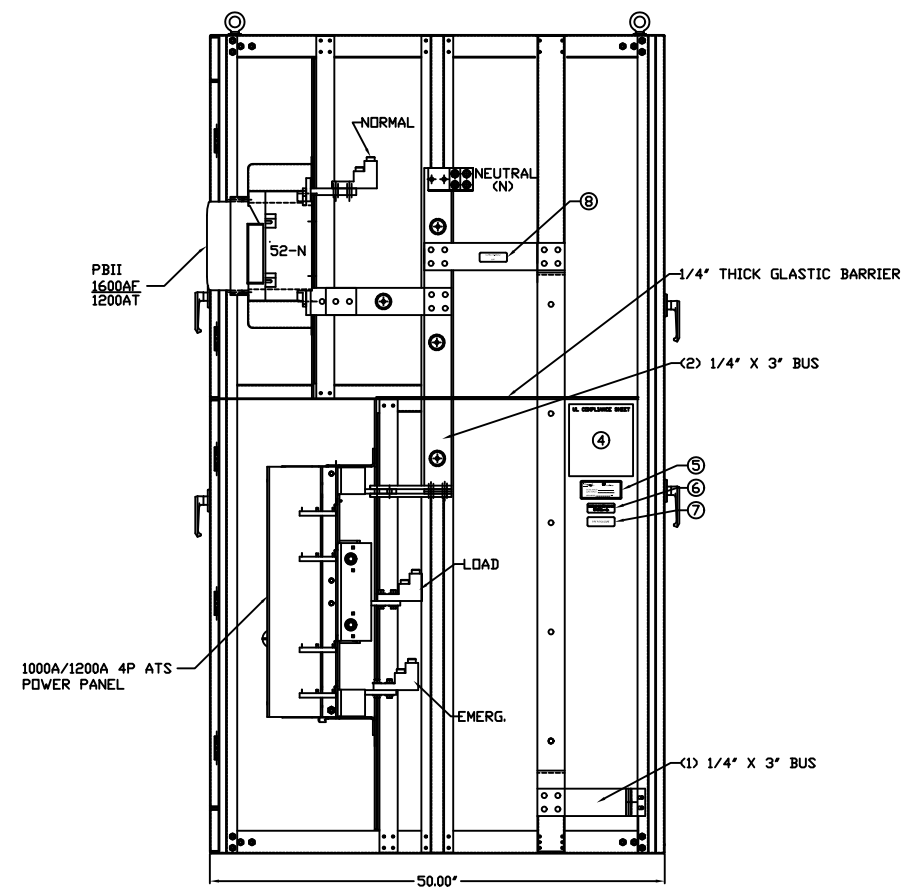


SYMBOL LEGEND
 O & u = MECH. LUGS (SEE TABLE FOR DETAILS)
 NCT = NEUTRAL CURRENT SENSOR
 RBS = REMOVABLE GROUND STRAP

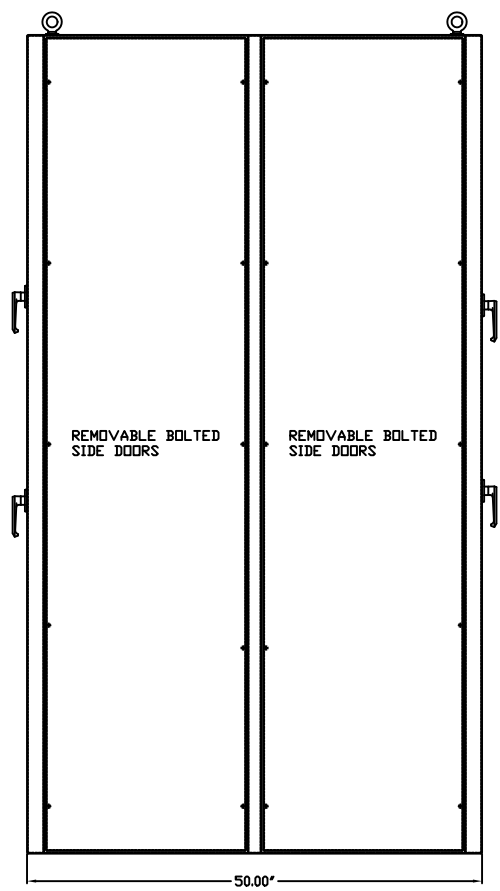
ONE LINE DIAGRAM (1200A)



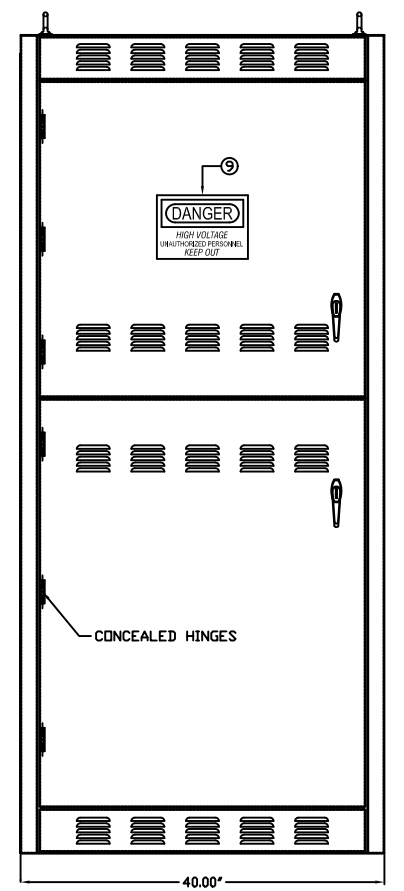
FRONT VIEW



SECTION "A - A"



RIGHT SIDE VIEW



REAR VIEW

**NEMA_1_ENCLOSURE
4_POLES_ATS**

**NOT CERTIFIED
FOR CONSTRUCTION**

GE PROPRIETARY AND CONFIDENTIAL INFORMATION
 This document is the property of General Electric Company (GE) and contains proprietary information of GE. This document is loaned on the express condition that neither it nor the information contained therein shall be disclosed to others without the express written consent of GE Industrial Systems, and that the information shall be used by the recipient only as approved expressly by GE Industrial Systems. This document shall be returned to GE upon its request. This document may be subject to certain restrictions under U.S. export control laws and regulations.

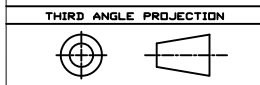
FOR ADDITIONAL INFO REFER TO	SIGNATURES	DATE
APPLIED PRACTICES	MODEL T.G.A.	10-25-2007
UNLESS OTHERWISE SPECIFIED DIMENSIONS ARE IN INCHES	DETAIL	
TOLERANCES ON:	CHECKED	
2 PL. DECIMALS ± .020	ENGRG T.G.A.	
3 PL. DECIMALS ± .005	MFG	
ANGLES ± 1°	QUALITY	
FRACTIONS ± 1/64	ISSUED	
FINISH ✓	DRAWING FILE: ZTGSE12(4P-N1)-OUT	SIZE N/A
	MODEL / ASSEMBLY FILE:	CAGE CODE N/A
	# CTQs	DWG NO.
	CRITICAL TO QUALITY CHARACTERISTIC	SCALE: NONE

GE Zenith Controls

TITLE: 1000A/1200A SERVICE ENTRANCE (4P-N1) OUTLINE DRAWING

FIRST MADE FOR: ZTGSE12(4P-N1)-OUT

SHEET 1 OF 1



AutoCad Generated